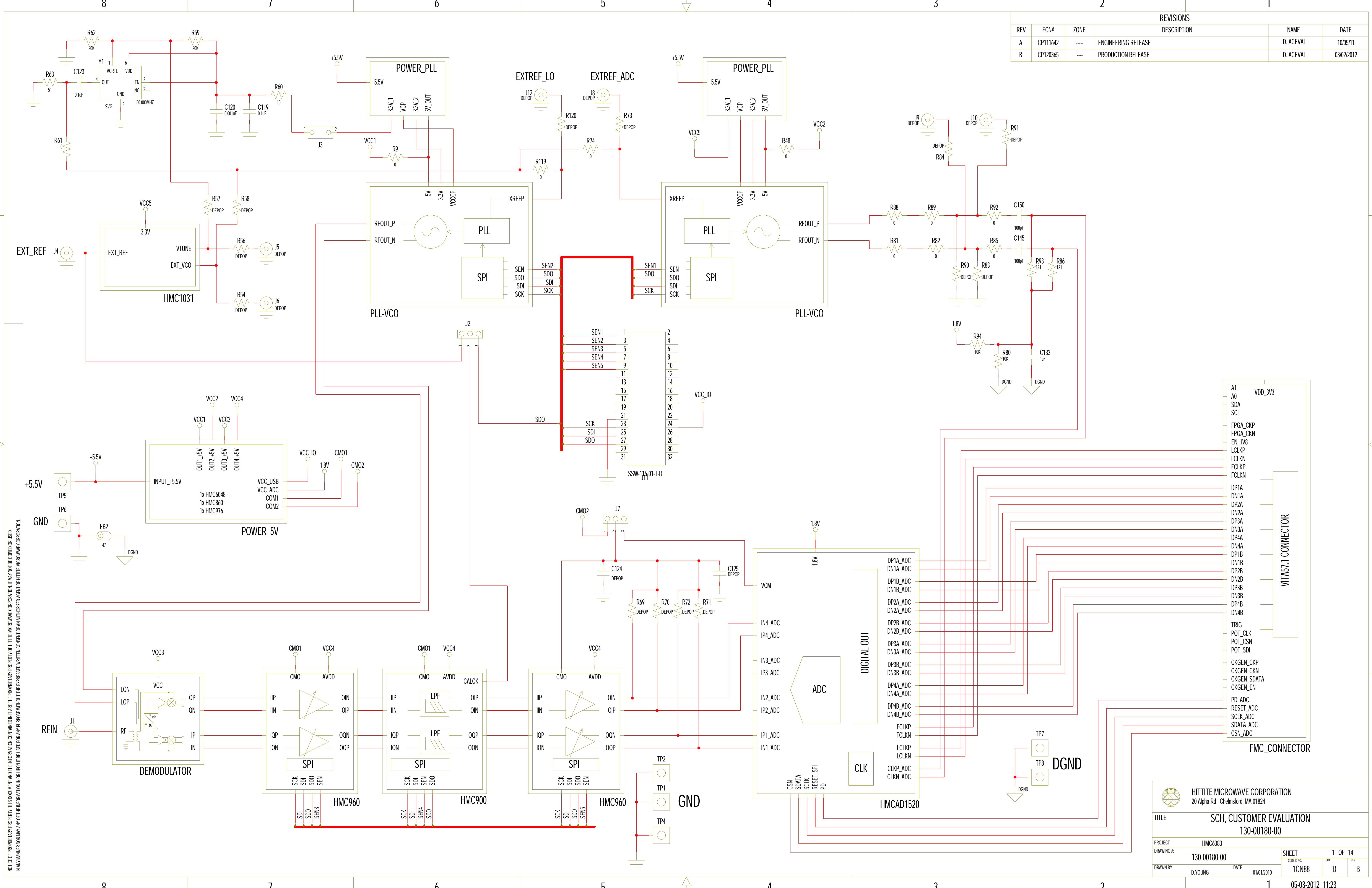


REVISIONS					
REV	ECN#	ZONE	DESCRIPTION	NAME	DATE
A	CP111642	----	ENGINEERING RELEASE	D. ACEVAL	10/05/11
B	CP120365	----	PRODUCTION RELEASE	D. ACEVAL	03/02/2012



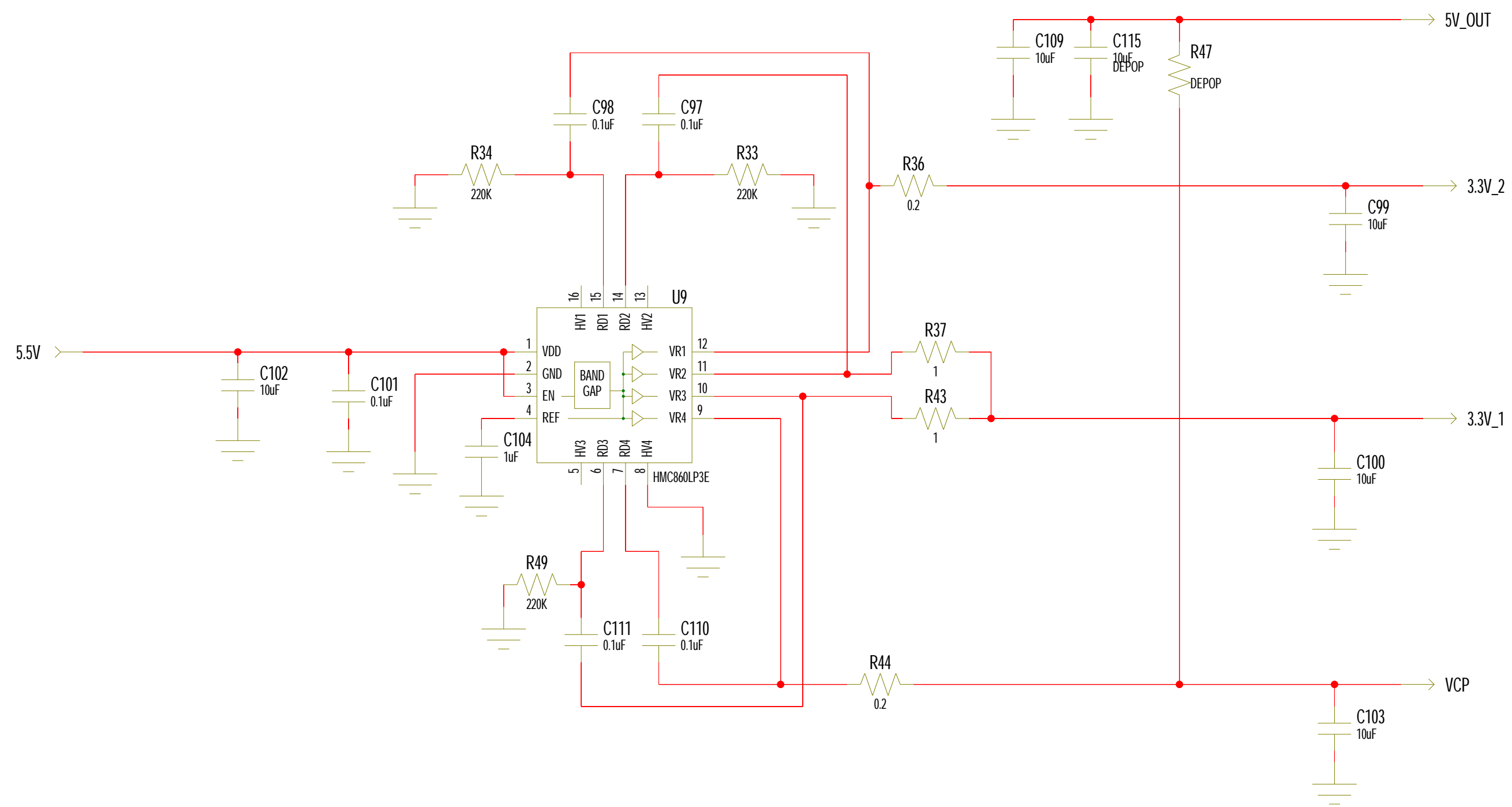
NOTICE OF PROPRIETARY PROPERTY: THIS DOCUMENT AND THE INFORMATION CONTAINED HEREIN ARE THE PROPRIETARY PROPERTY OF HITITE MICROWAVE CORPORATION. IT MAY NOT BE COPIED OR USED IN ANY MANNER NOR ANY PART OF THE INFORMATION OR IP/IT BE USED FOR ANY PURPOSE WITHOUT THE EXPRESS WRITTEN CONSENT OF AN AUTHORIZED AGENT OF HITITE MICROWAVE CORPORATION.


HITITE MICROWAVE CORPORATION
 20 Alpha Rd Chelmsford, MA 01824

TITLE SCH, CUSTOMER EVALUATION
 130-00180-00

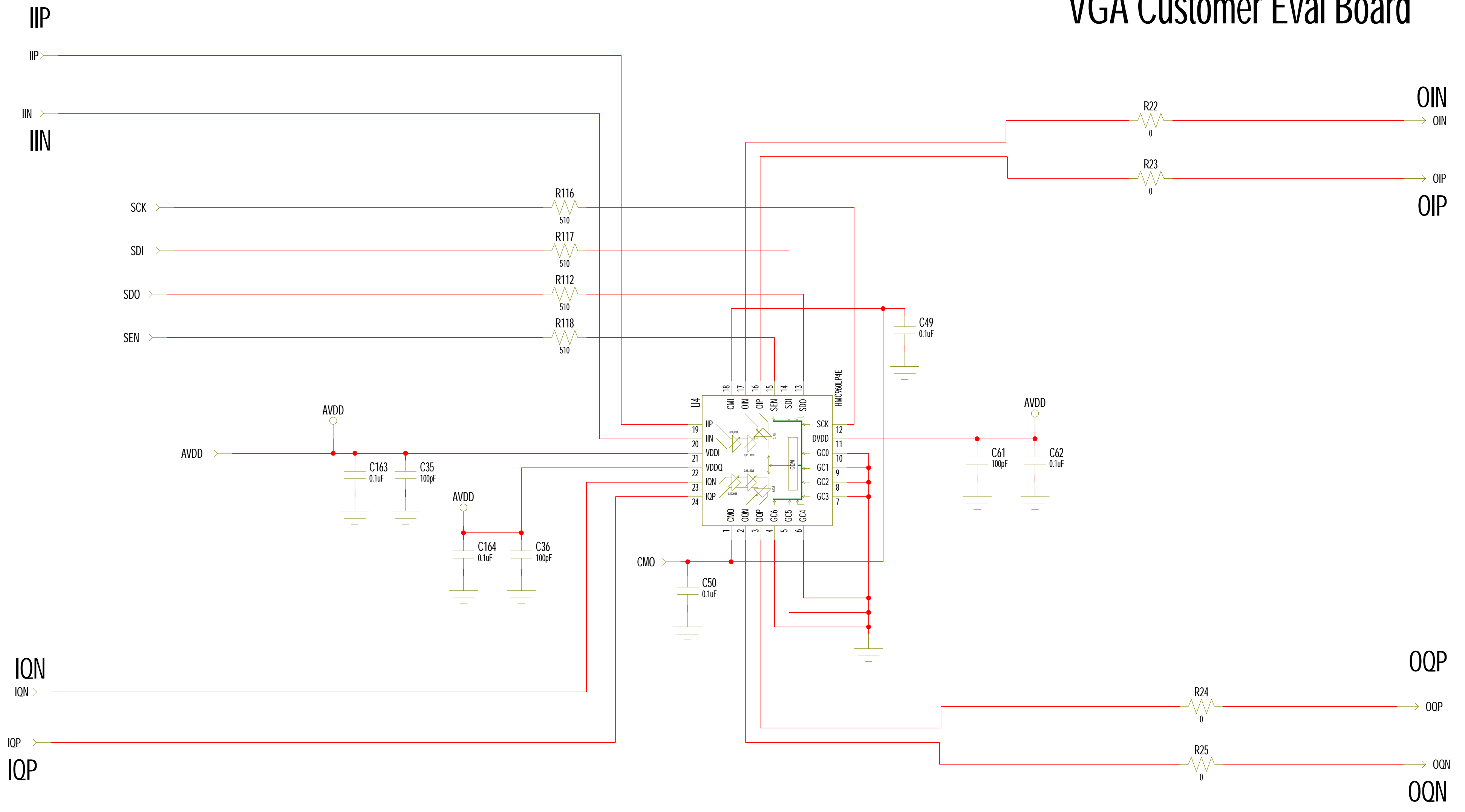
PROJECT	HMC6383	SHEET	1 OF 14
DRAWING #:	130-00180-00	CODE #	1CN88
DRAWN BY	D.YOUNG	DATE	01/01/2010
		SIZE	D
		REV	B


05-03-2012_11:23

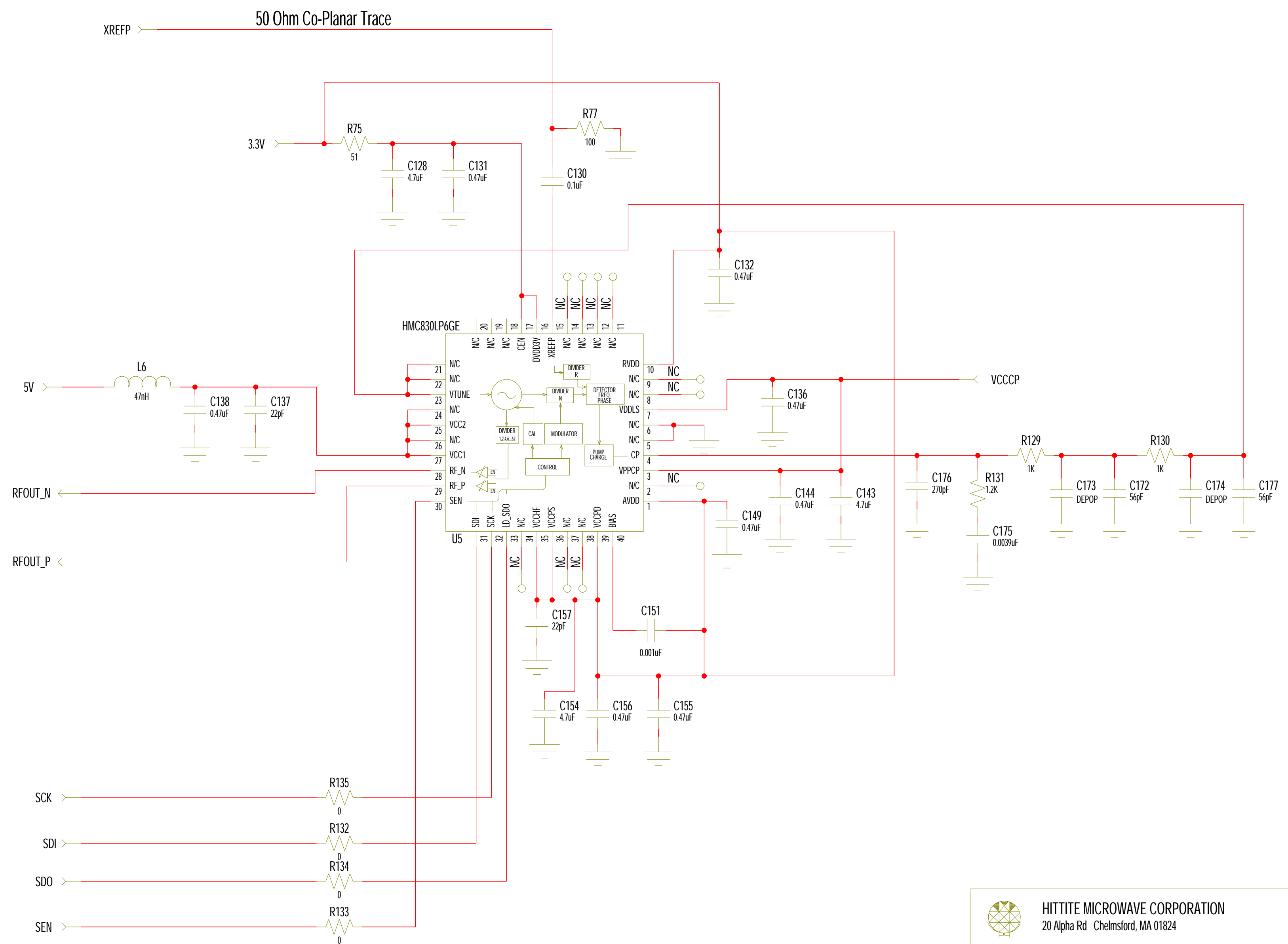



 HITTITE MICROWAVE CORPORATION 20 Alpha Rd Chelmsford, MA 01824		TITLE		
		SCH, CUSTOMER EVALUATION power_pll		
PROJECT	HMC6383	SHEET		2 OF 14
DRAWING #:	130-00180-00	CODE ID NO.	SIZE	REV
DRAWN BY	D.YOUNG	DATE	01/01/2010	1CN88 C B

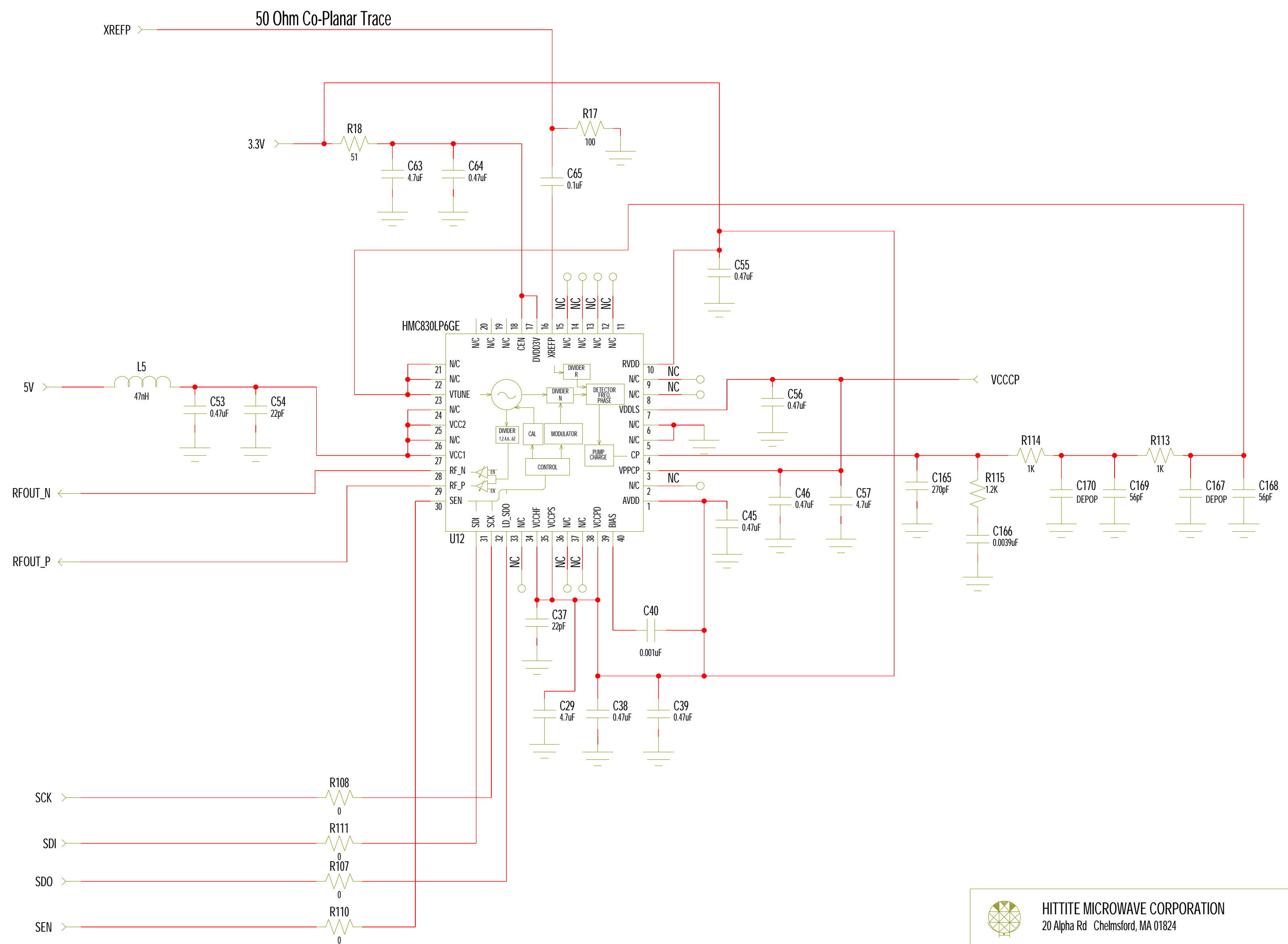
VGA Customer Eval Board




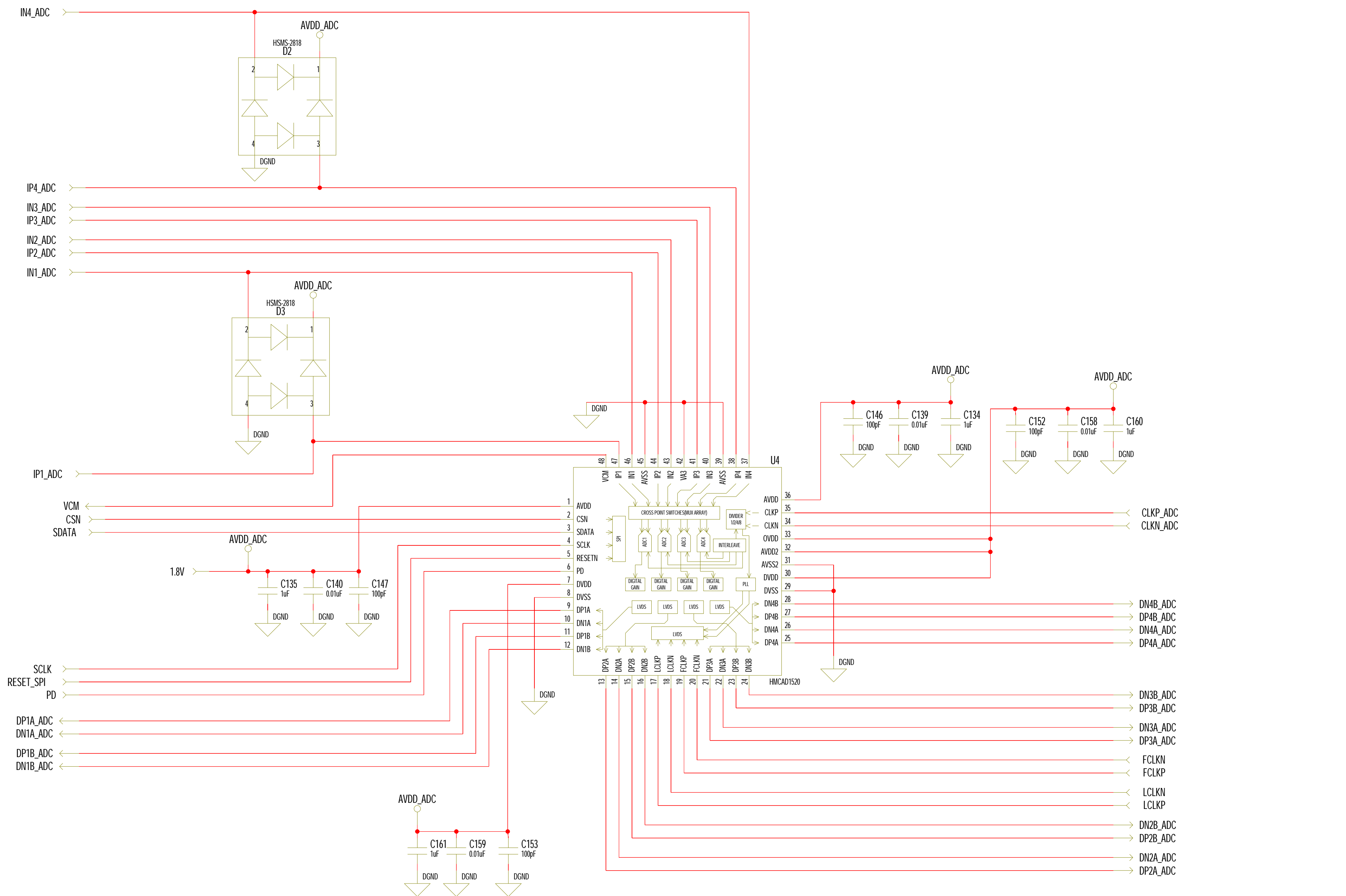
 HITTITE MICROWAVE CORPORATION 20 Alpha Rd Chelmsford, MA 01824	
TITLE SCH, CUSTOMER EVALUATION HMC960	
PROJECT HMC6383	SHEET 3 OF 14
DRAWING #: 130-00180-00	CODE ID NO. 1CN88
DRAWN BY D.YOUNG	DATE 01/01/2010
SIZE C	REV B




 HITTITE MICROWAVE CORPORATION 20 Alpha Rd Chelmsford, MA 01824				
TITLE SCH, CUSTOMER EVALUATION HMC830				
PROJECT		HMC6383		
DRAWING #:		130-00180-00		SHEET
DRAWN BY		D.YOUNG		DATE
		01/01/2010		1CN88
				4 OF 14
				SIZE
				C
				REV
				B

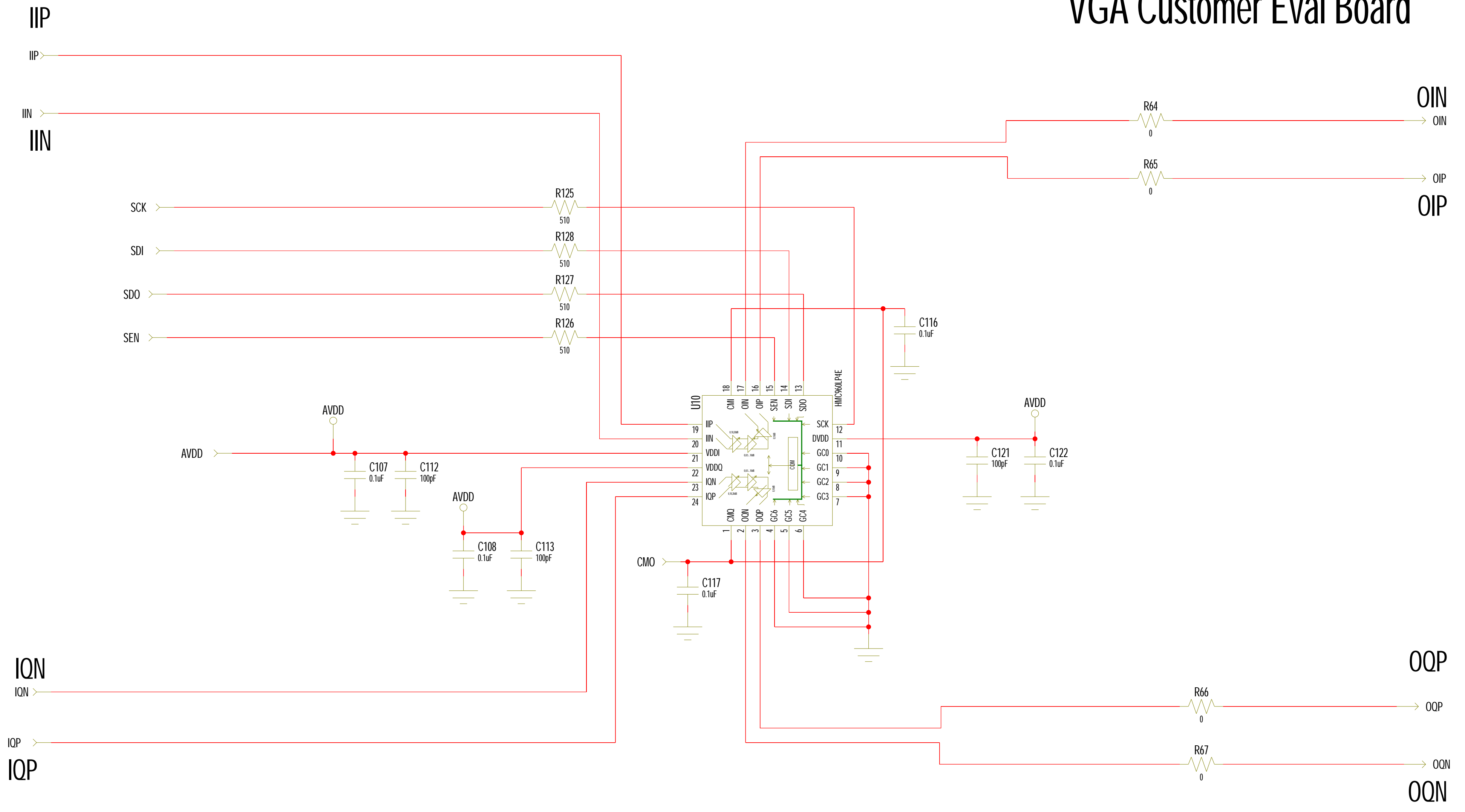



 HITTITE MICROWAVE CORPORATION 20 Alpha Rd Chelmsford, MA 01824		TITLE		
		SCH, CUSTOMER EVALUATION HMC830		
PROJECT	HMC6383			
DRAWING #:	130-00180-00		SHEET	5 OF 14
DRAWN BY	D.YOUNG	DATE	01/01/2010	CODE ID NO. 1CN88
				SIZE C
				REV B



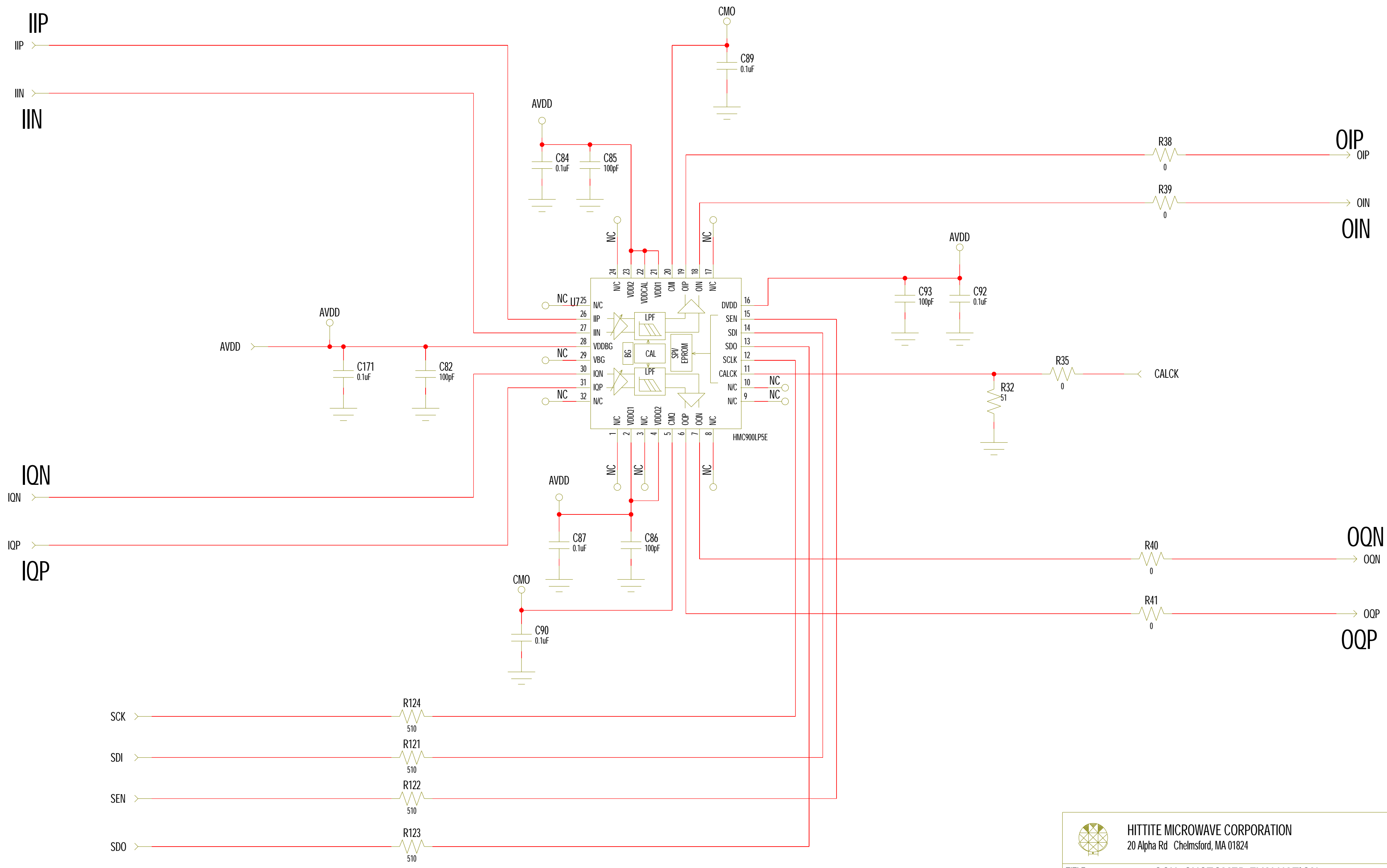
 HITTITE MICROWAVE CORPORATION 20 Alpha Rd Chelmsford, MA 01824				
TITLE SCH, CUSTOMER EVALUATION ADC				
PROJECT HMC6383		SHEET 7 OF 14		
DRAWING #: 130-00180-00		CODE ID NO. 1CN88	SIZE C	REV B
DRAWN BY D.YOUNG	DATE 01/01/2010	DATE 01/01/2010	DATE 01/01/2010	DATE 01/01/2010


VGA Customer Eval Board

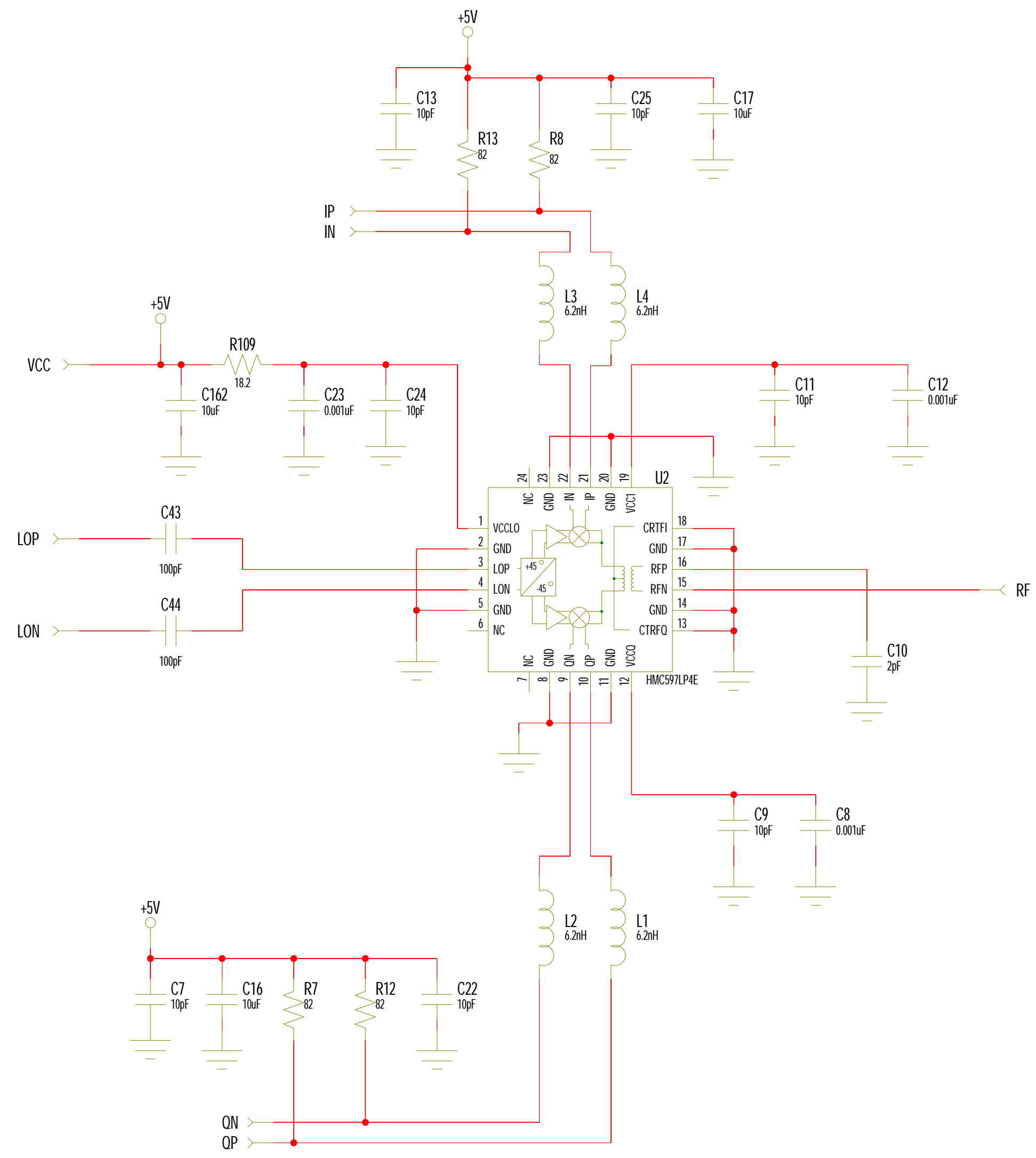



 HITTITE MICROWAVE CORPORATION 20 Alpha Rd Chelmsford, MA 01824	
TITLE SCH, CUSTOMER EVALUATION hmc960	
PROJECT HMC6383	
DRAWING #: 130-00180-00	SHEET 8 OF 14 <small>CODE ID NO. SIZE REV</small> 1CN88 C B
DRAWN BY D.YOUNG	DATE 01/01/2010

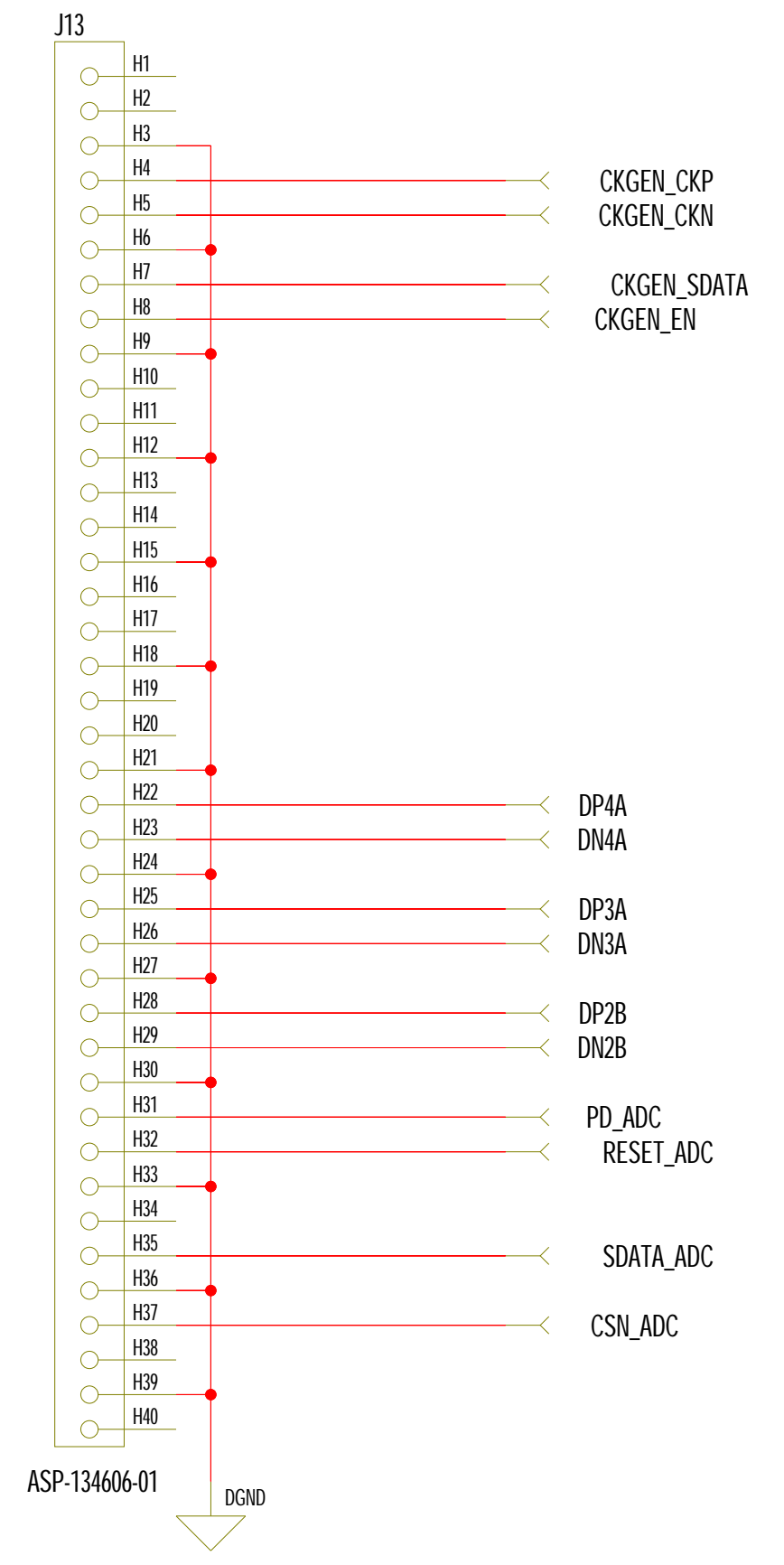
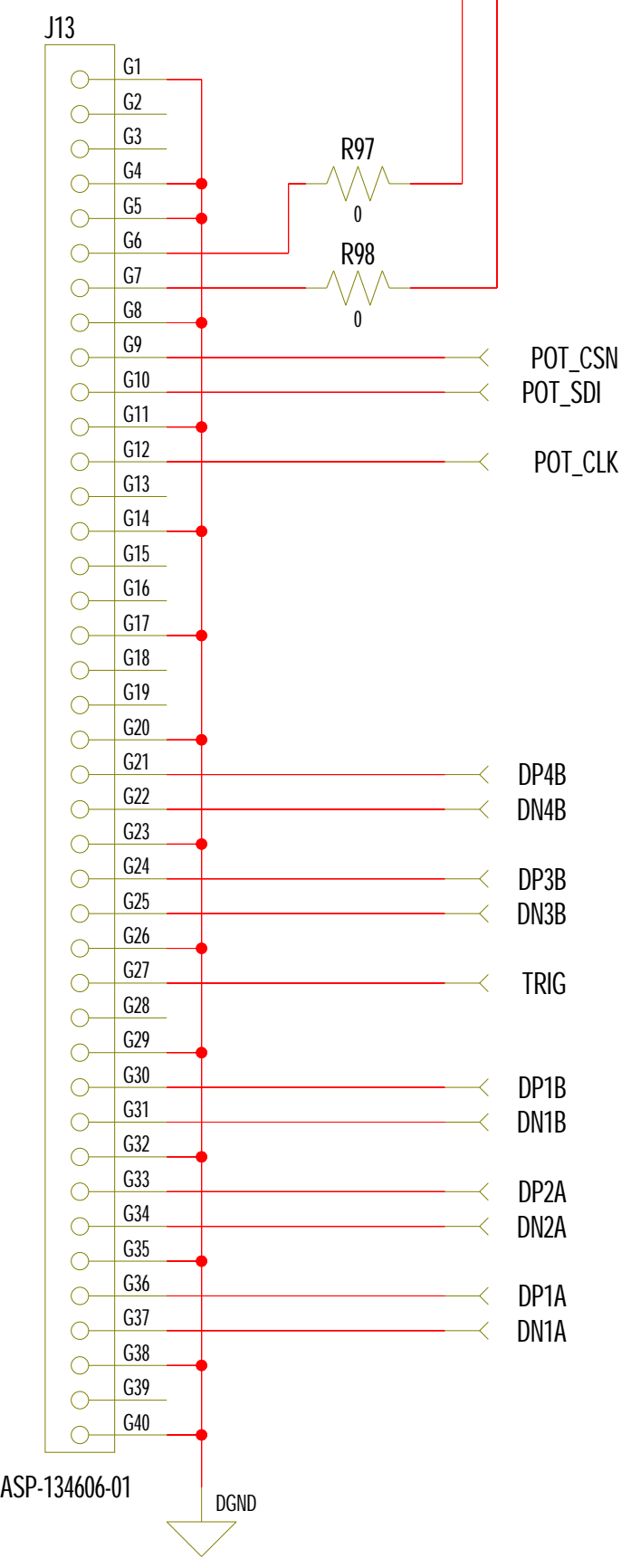
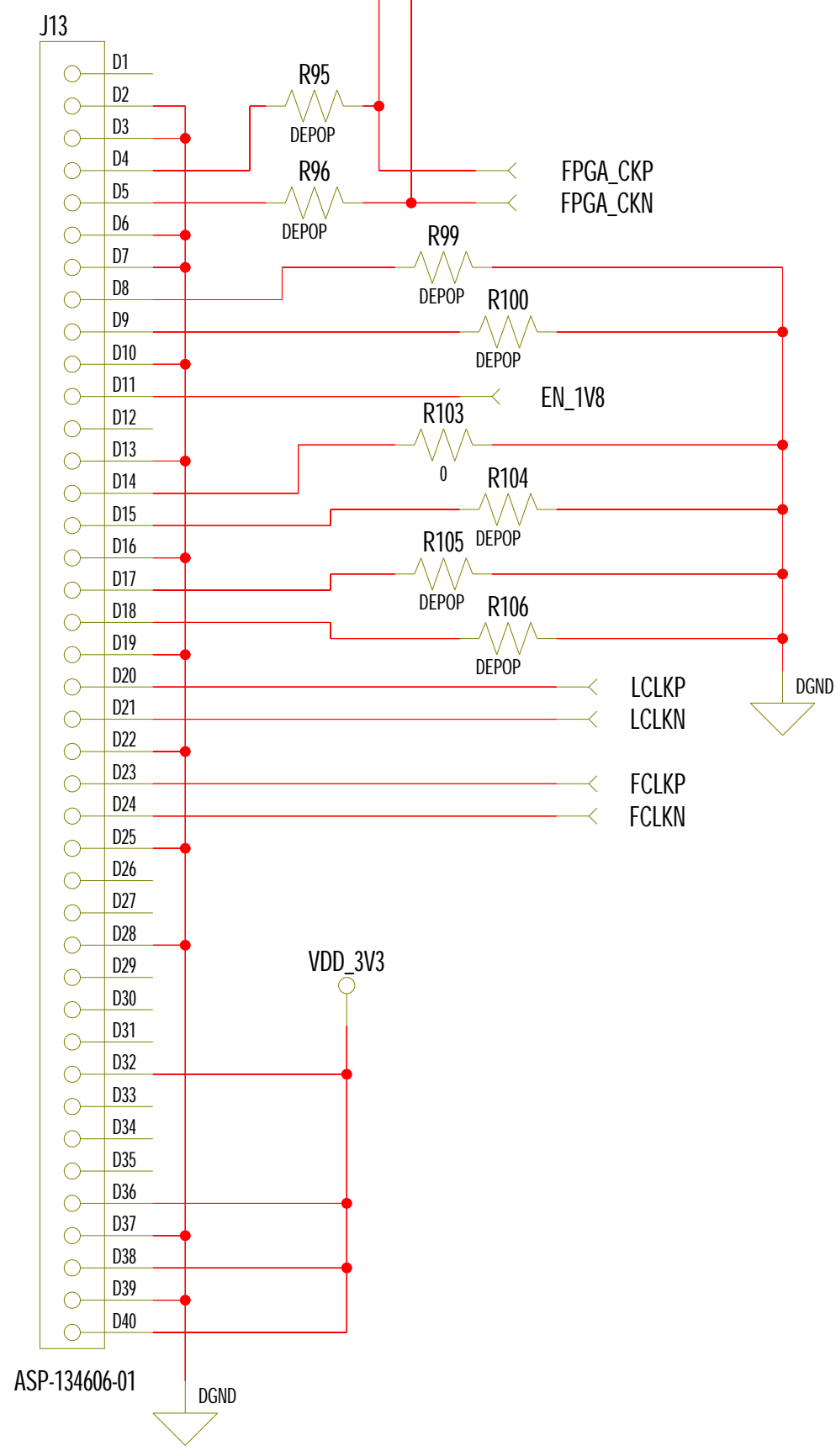
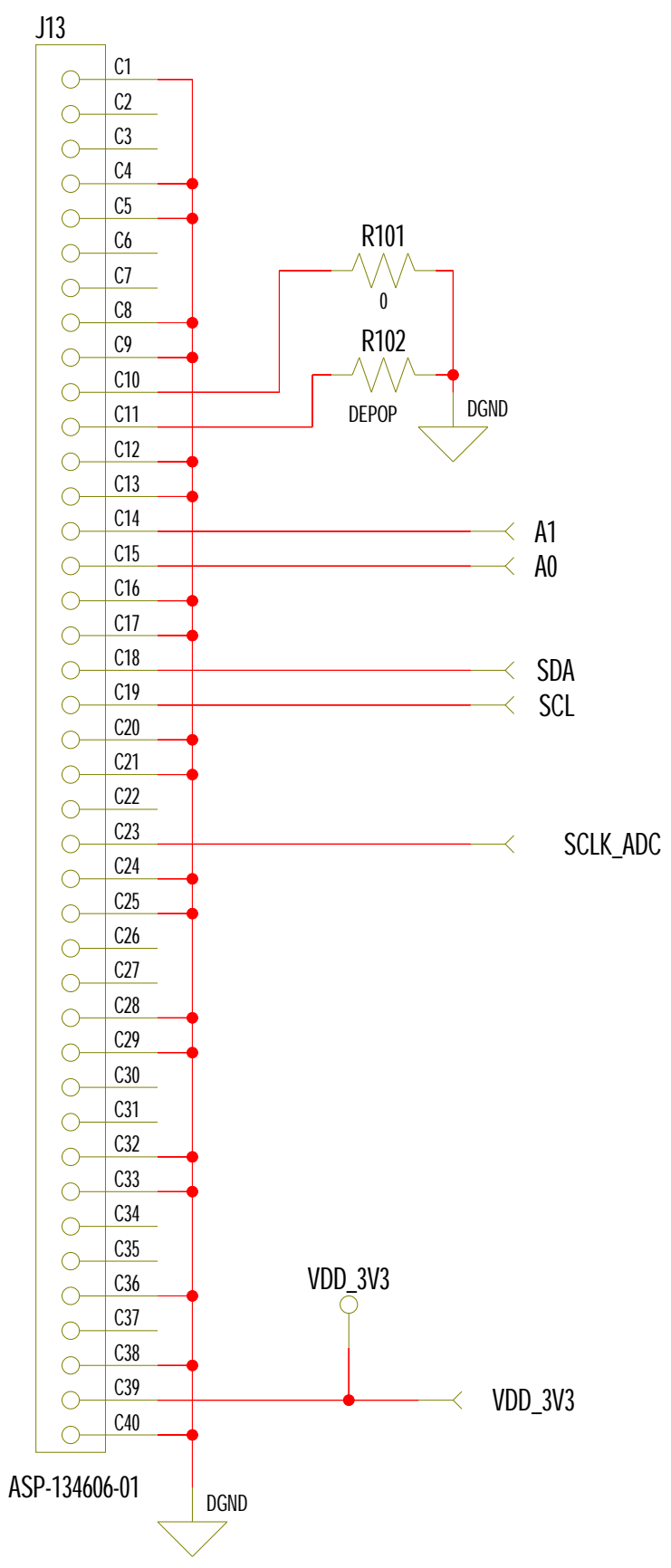
HMC900 Baseband Filter Eval



 HITTITE MICROWAVE CORPORATION 20 Alpha Rd Chelmsford, MA 01824	
TITLE SCH, CUSTOMER EVALUATION hmc900	
PROJECT	HMC6383
DRAWING #:	130-00180-00
DRAWN BY	D.YOUNG
DATE	01/01/2010
SHEET	9 OF 14
CODE ID NO.	1CN88
SIZE	C
REV	B



 HITTITE MICROWAVE CORPORATION 20 Alpha Rd Chelmsford, MA 01824		TITLE SCH, CUSTOMER EVALUATION demodulator		
		PROJECT HMC6383	SHEET 10 OF 14	CODE ID NO. 1CN88
DRAWING #: 130-00180-00	DRAWN BY: D.YOUNG	DATE: 01/01/2010	02-03-2012_10:51	



HITTITE MICROWAVE CORPORATION
 20 Alpha Rd Chelmsford, MA 01824

TITLE SCH, CUSTOMER EVALUATION
 FMC_CONNECTOR

PROJECT HMC6383

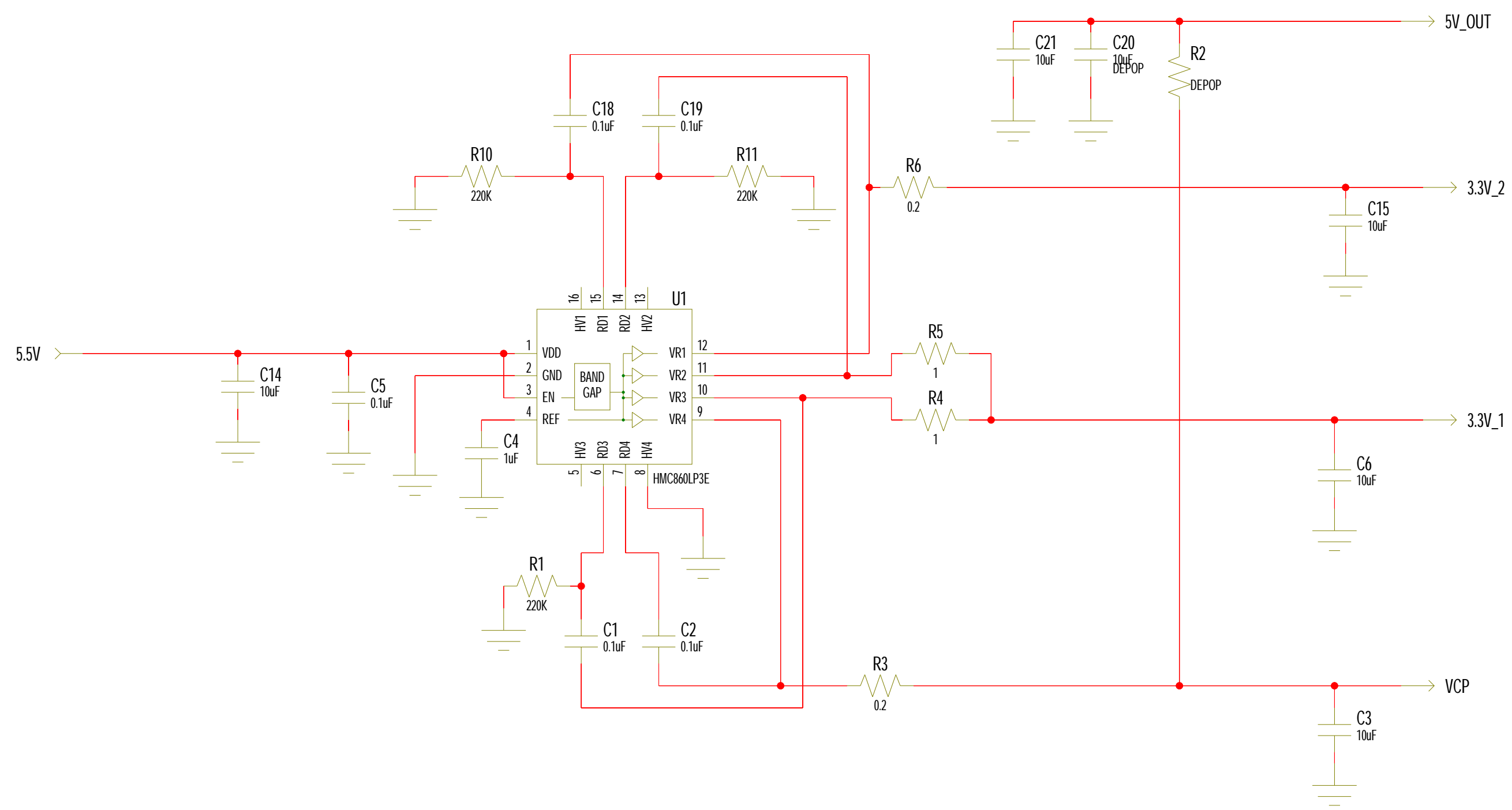
DRAWING #: 130-00180-00


DRAWN BY D.YOUNG **DATE** 01/01/2010

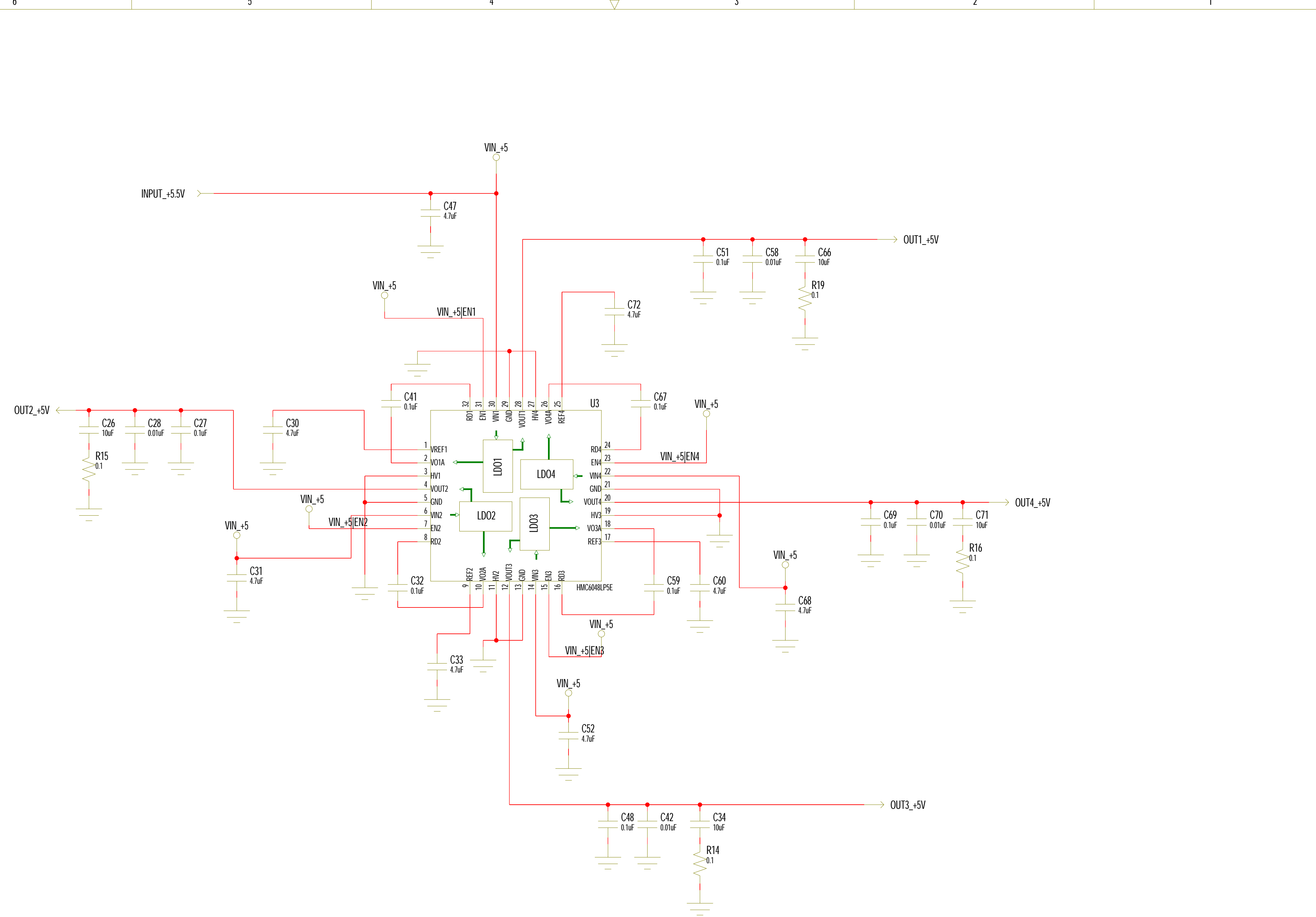
SHEET 11 OF 14


CODE ID NO. 1CN88 **SIZE** C **REV** B

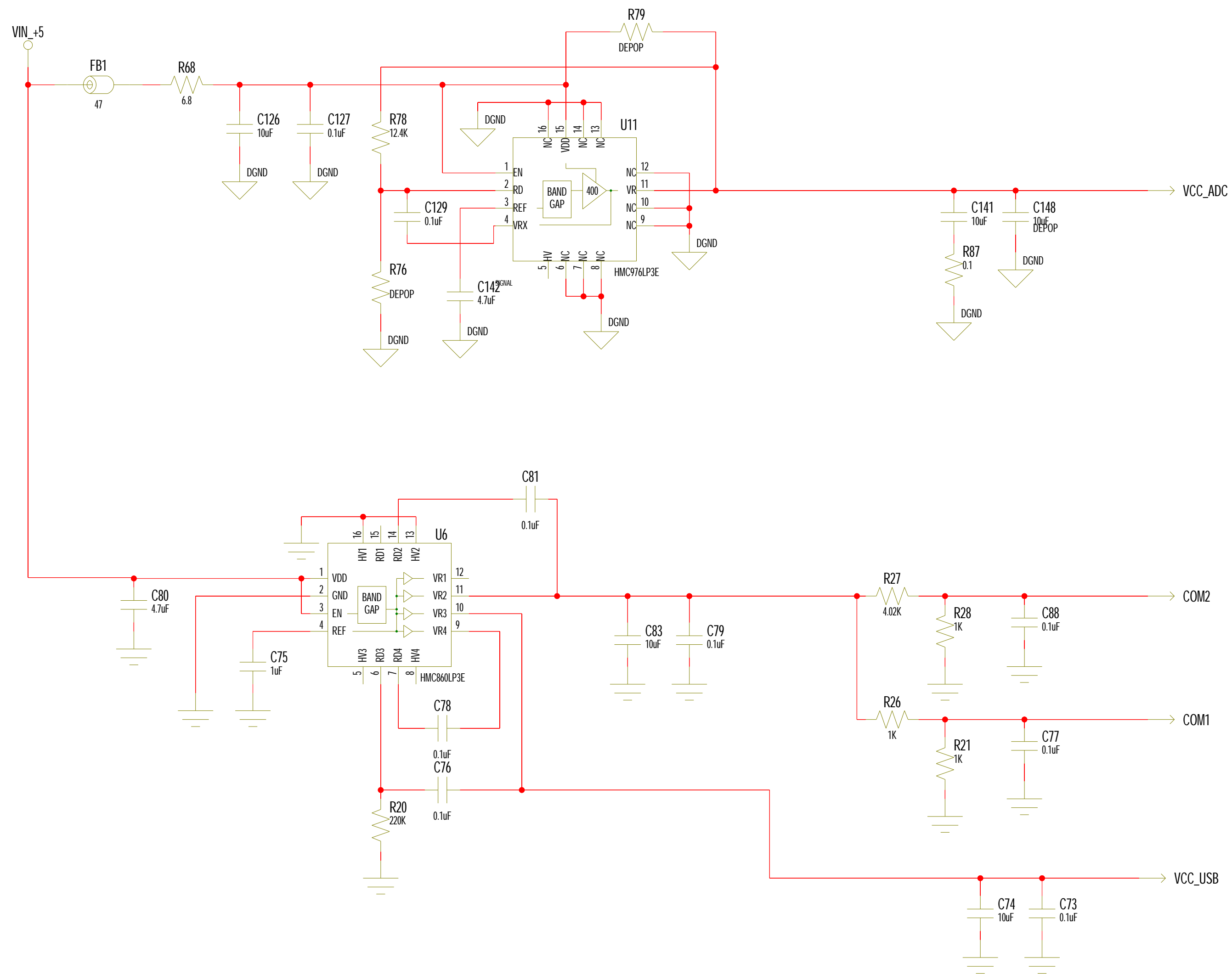
02-03-2012_10:24




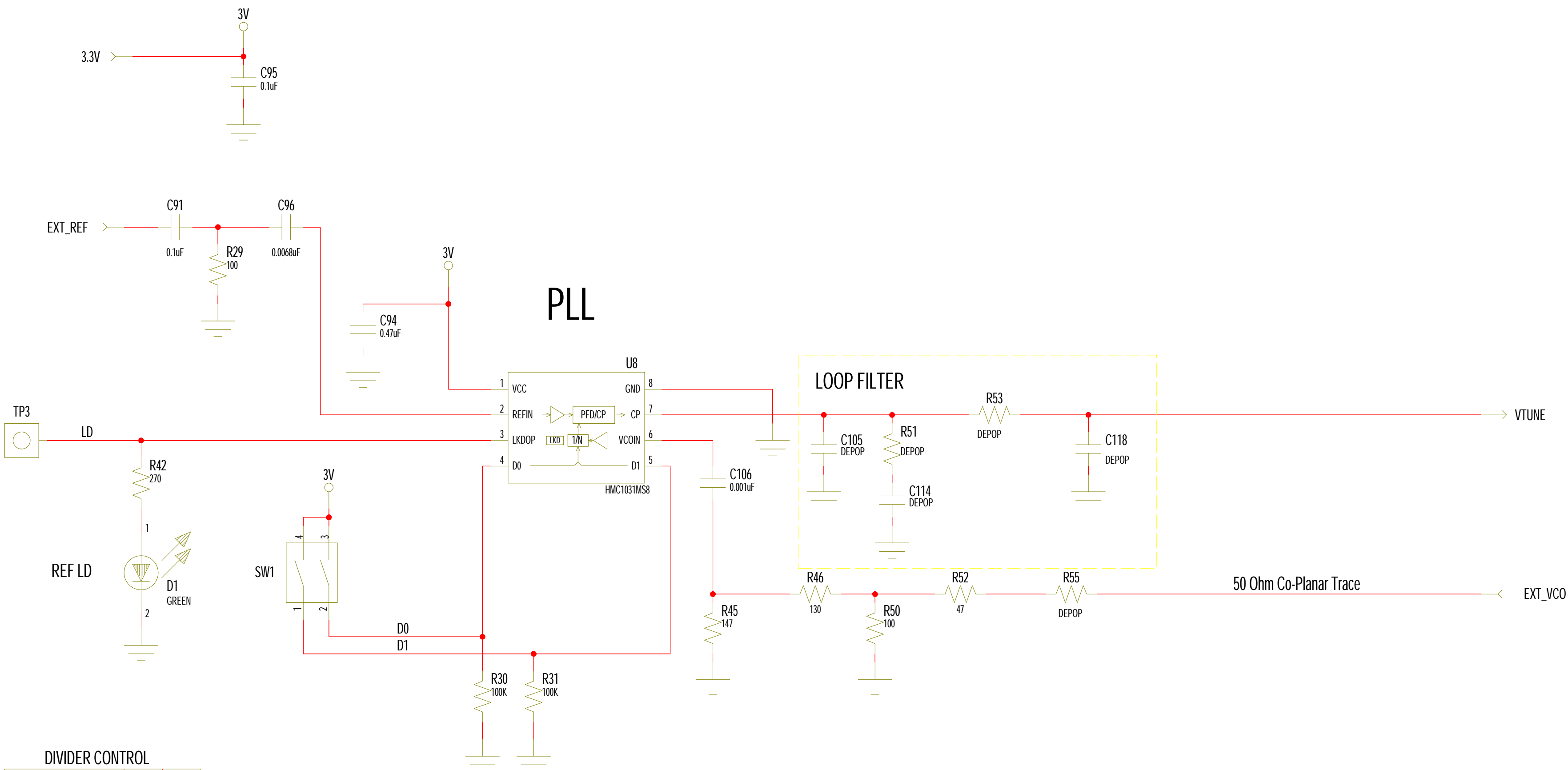
 HITTITE MICROWAVE CORPORATION 20 Alpha Rd Chelmsford, MA 01824	
TITLE SCH, CUSTOMER EVALUATION power_pll	
PROJECT	HMC6383
DRAWING #:	130-00180-00
DRAWN BY	D.YOUNG
DATE	01/01/2010
SHEET	12 OF 14
CODE ID NO.	1CN88
SIZE	C
REV	B



 HITTITE MICROWAVE CORPORATION 20 Alpha Rd Chelmsford, MA 01824		TITLE SCH, CUSTOMER EVALUATION power_5v		
		PROJECT HMC6383	DRAWING #: 130-00180-00	SHEET 13 OF 14
DRAWN BY D.YOUNG	DATE 01/01/2010	CODE ID NO. 1CN88	SIZE C	REV B



 HITTITE MICROWAVE CORPORATION 20 Alpha Rd Chelmsford, MA 01824				
TITLE SCH, CUSTOMER EVALUATION POWER_5V				
PROJECT		HMC6383		
DRAWING #:		130-00180-00		SHEET 14 OF 14
DRAWN BY		D.YOUNG		DATE 01/01/2010
		CODE ID NO.	SIZE	REV
		1CN88	C	B
02-03-2012_11:07				



DIVIDER CONTROL

	D1	D0
POWER DOWN	0	0
DIVIDE BY 1	0	1
DIVIDE BY 5	1	0
DIVIDE BY 10	1	1

HITTITE MICROWAVE CORPORATION
 20 Alpha Rd Chelmsford, MA 01824

TITLE SCH, CUSTOMER EVALUATION OR AUTOHANDLER
 HMC1031MS8E

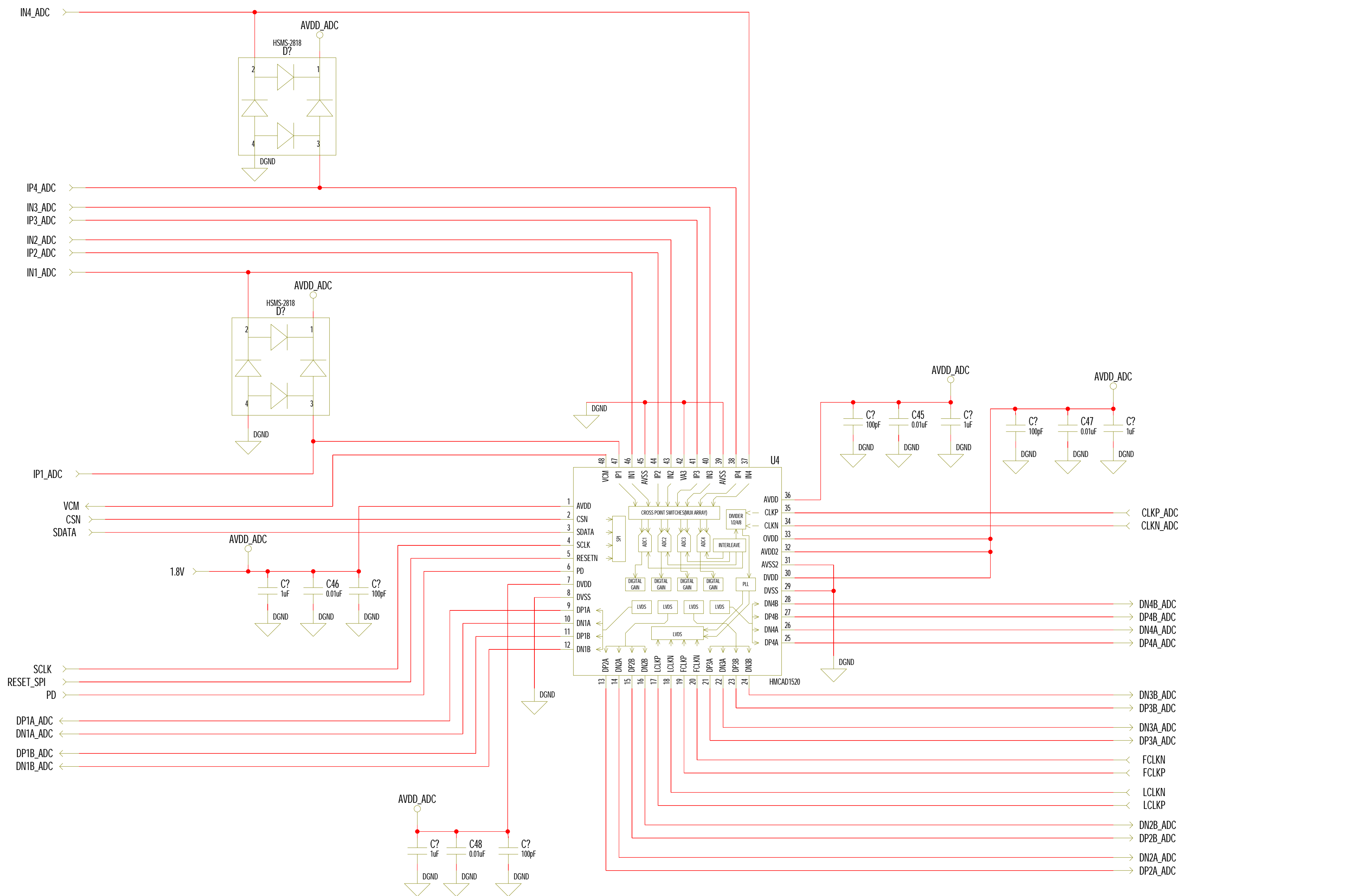
PROJECT HMC6383


DRAWING #: 130-00180-00

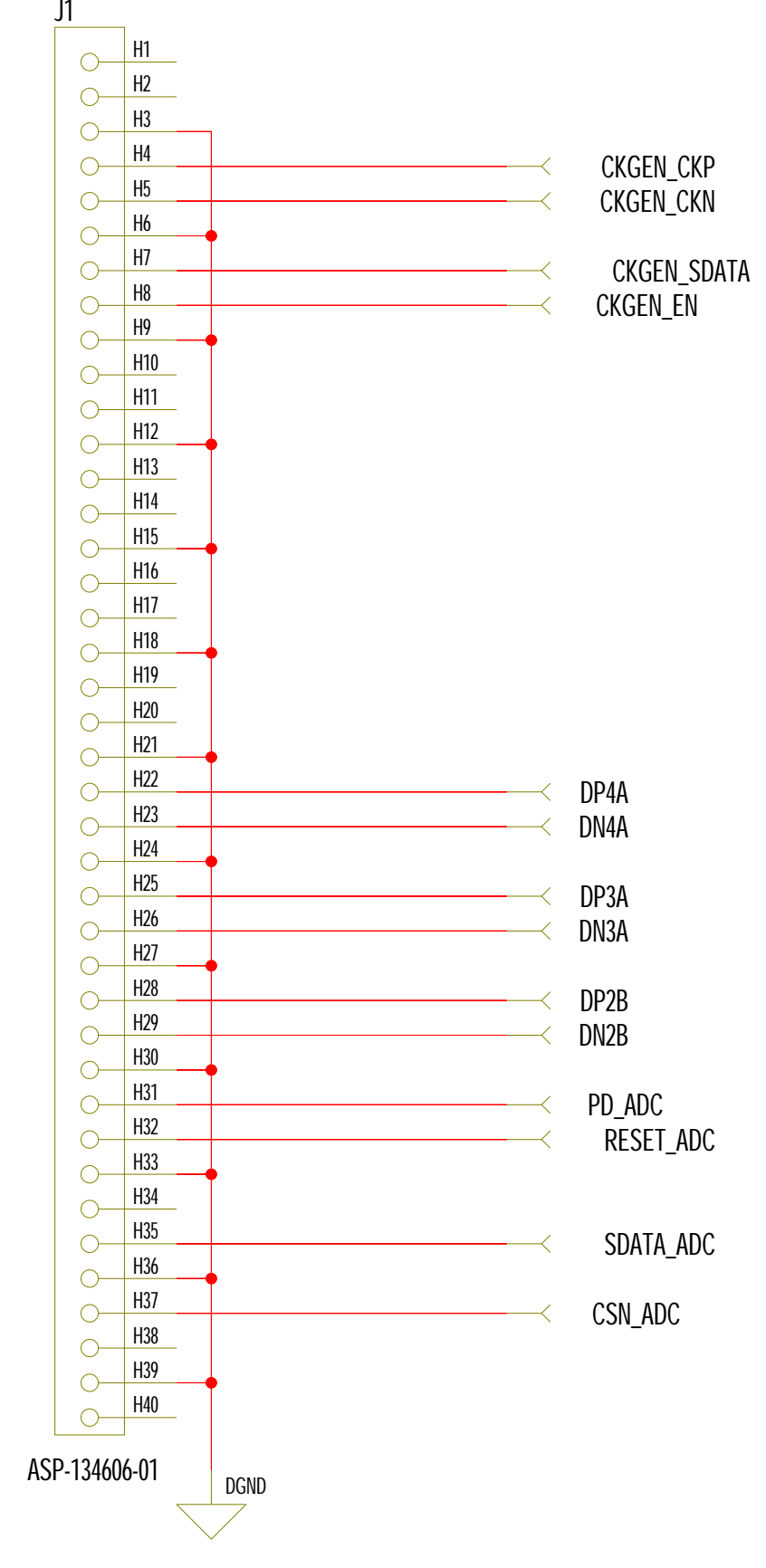
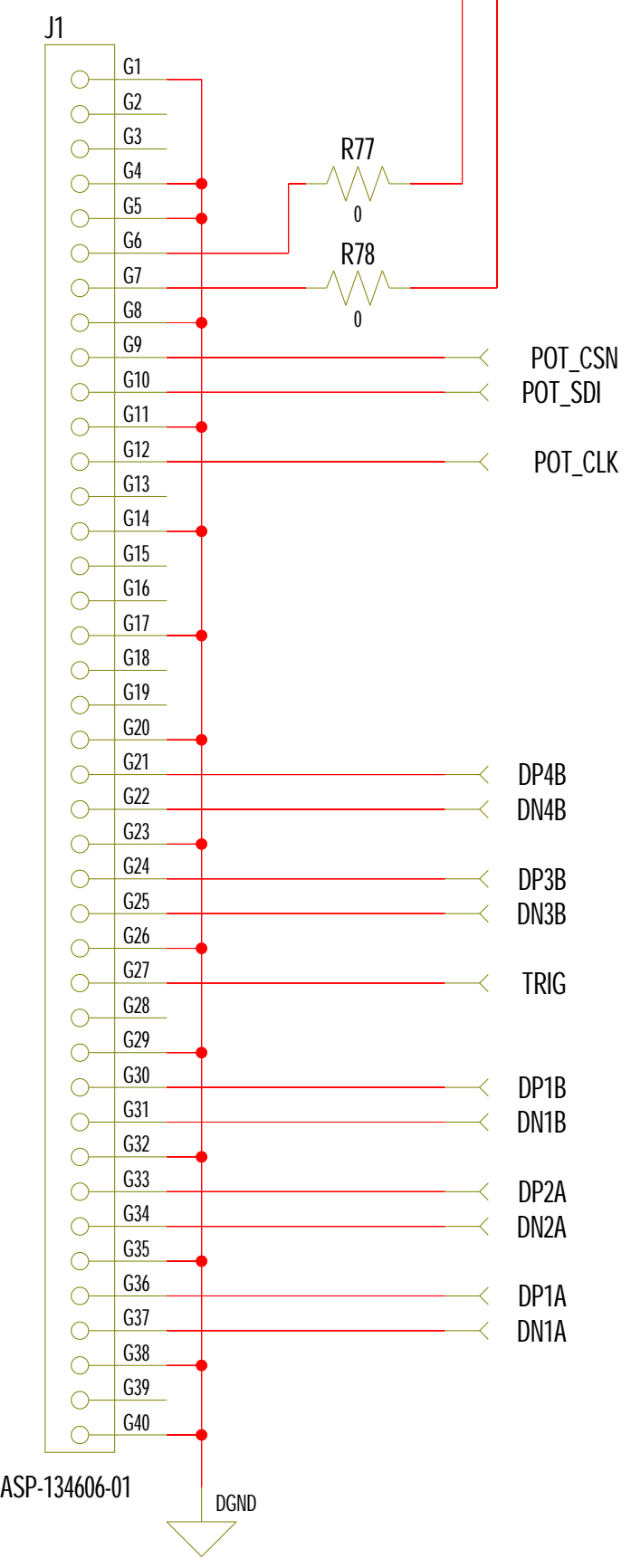
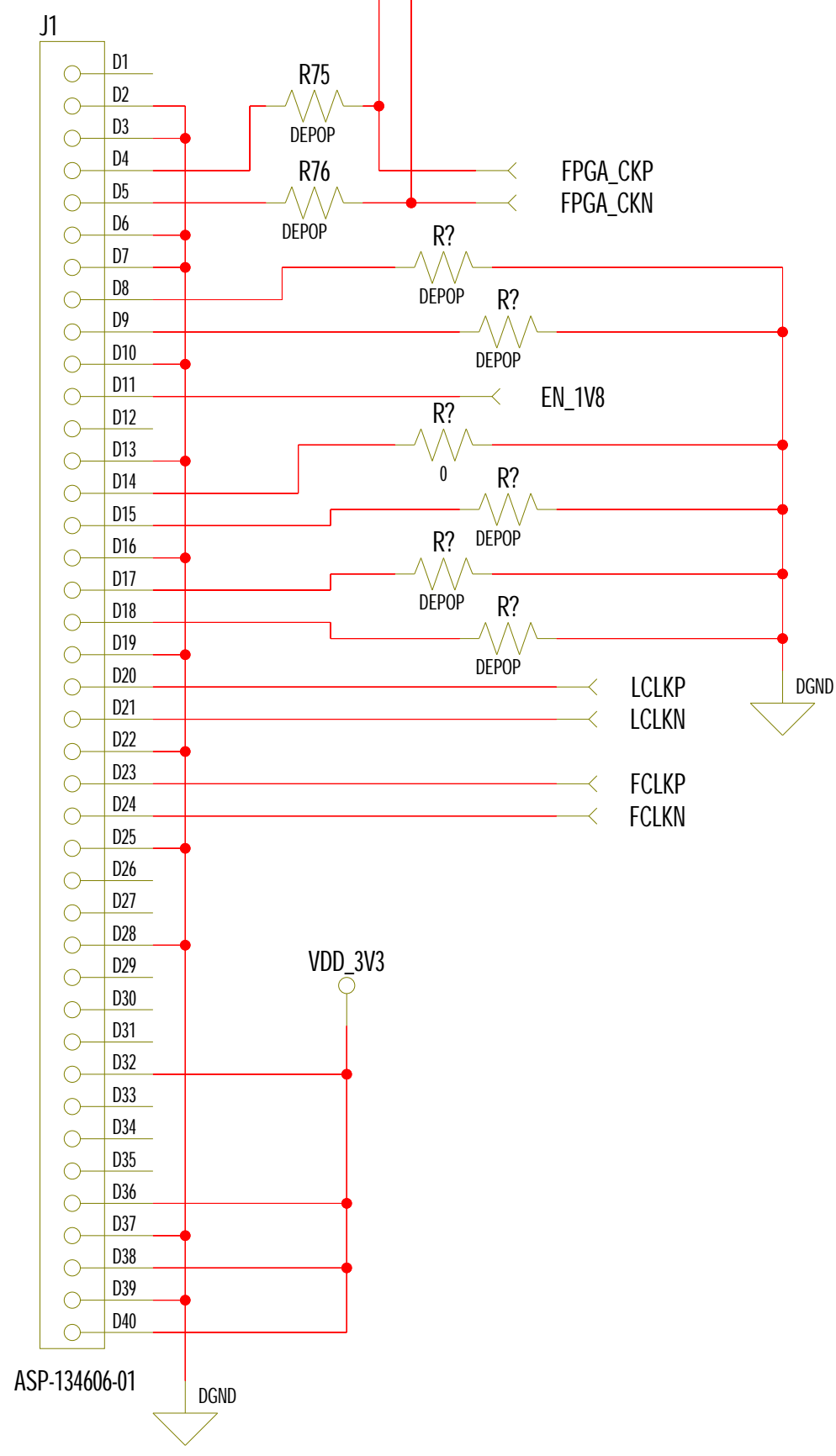
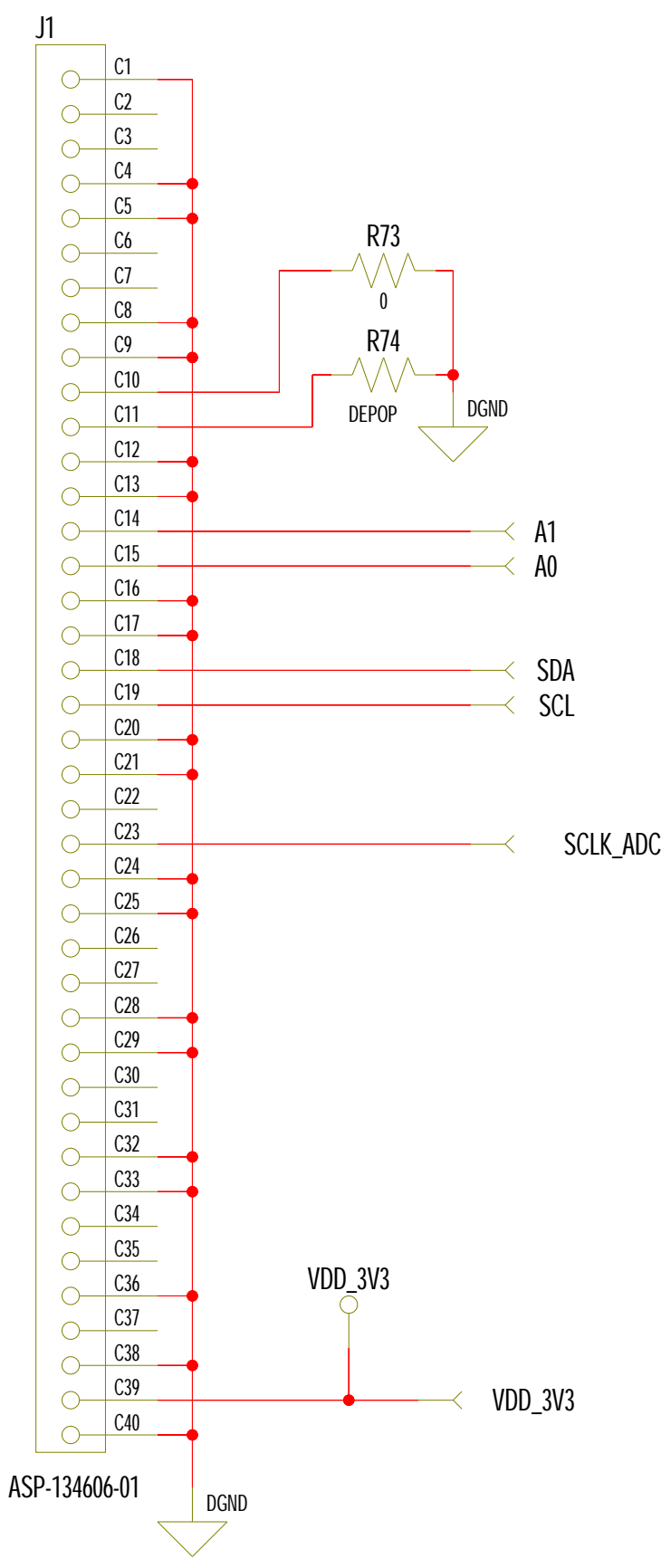
DRAWN BY D.YOUNG **DATE** 01/01/2010

SHEET	SHEET 2 OF 14
CODE ID NO.	SIZE
1CN88	C
REV	1

05-03-2012_11:37



 HITTITE MICROWAVE CORPORATION 20 Alpha Rd Chelmsford, MA 01824		TITLE SCH, CUSTOMER EVALUATION		
		PROJECT HMC6383		SHEET -
DRAWING #: 130-00180-00		CODE ID NO. 1CN88	SIZE C	REV B
DRAWN BY D.YOUNG	DATE 01/01/2010	DATE 01/01/2010	DATE 01/01/2010	DATE 01/01/2010



HITTITE MICROWAVE CORPORATION
 20 Alpha Rd Chelmsford, MA 01824

TITLE SCH, CUSTOMER EVALUATION

PROJECT HMC6383

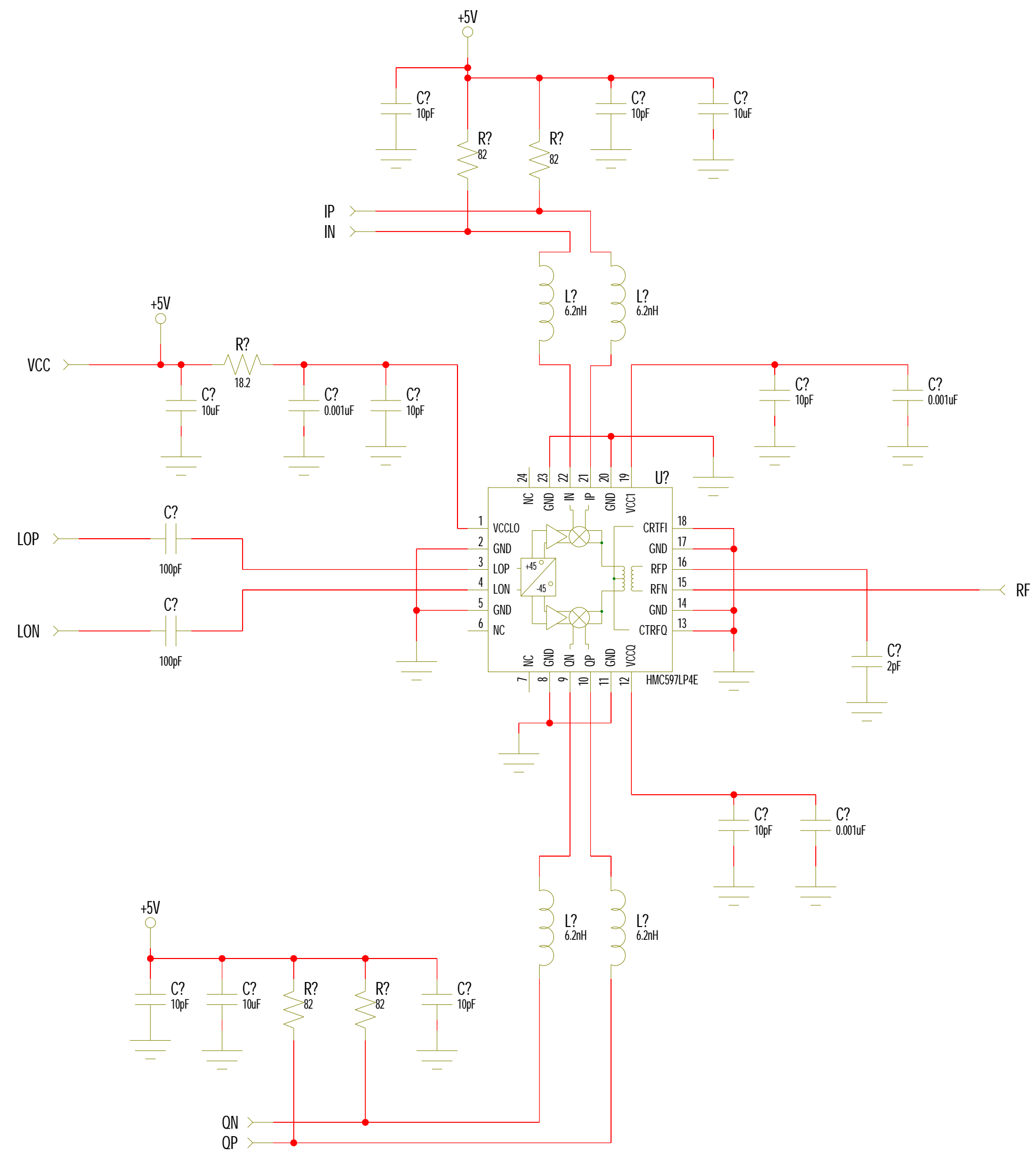
DRAWING #: 130-00180-00


DRAWN BY D.YOUNG DATE 01/01/2010

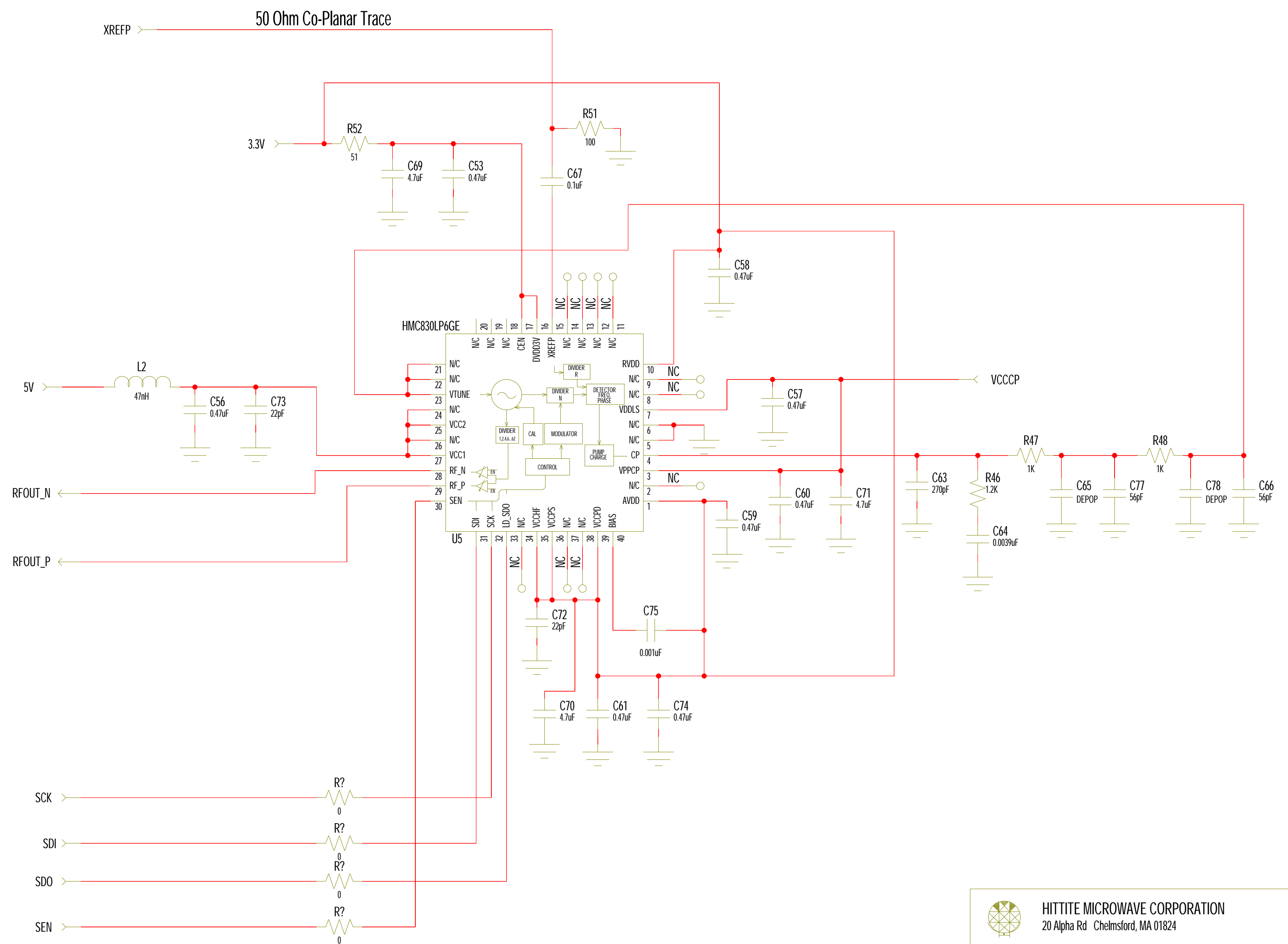
SHEET 1


CODE ID NO. 1CN88 SIZE C REV B

02-03-2012_10:24

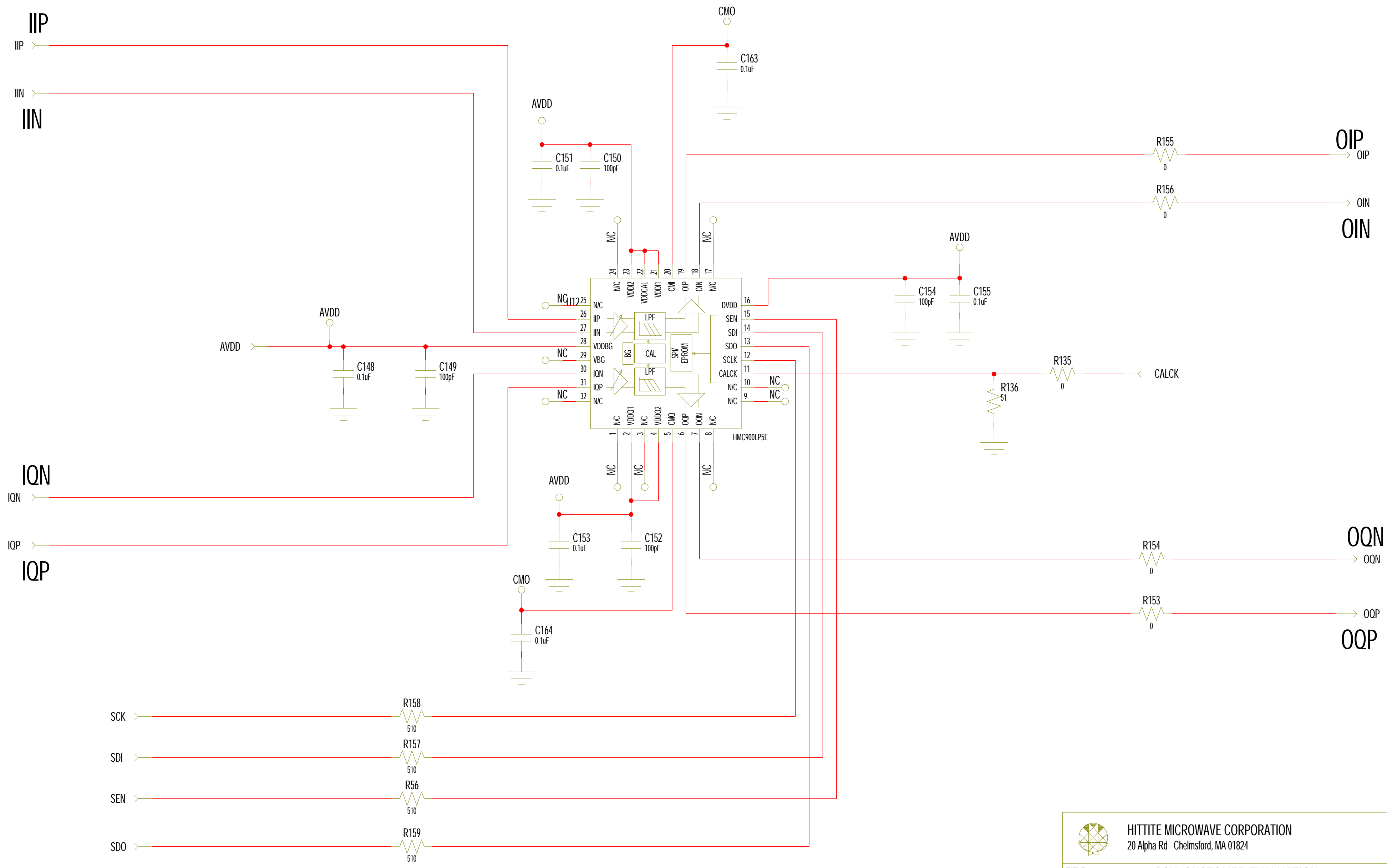



 HITTITE MICROWAVE CORPORATION 20 Alpha Rd Chelmsford, MA 01824		SHEET		
		CODE ID NO.	SIZE	REV
TITLE		SCH, CUSTOMER EVALUATION		
PROJECT		HMC6383		
DRAWING #:		130-00180-00		1
DRAWN BY		DATE	1CN88	B
D.YOUNG		01/01/2010	C	B
02-03-2012_10:51				



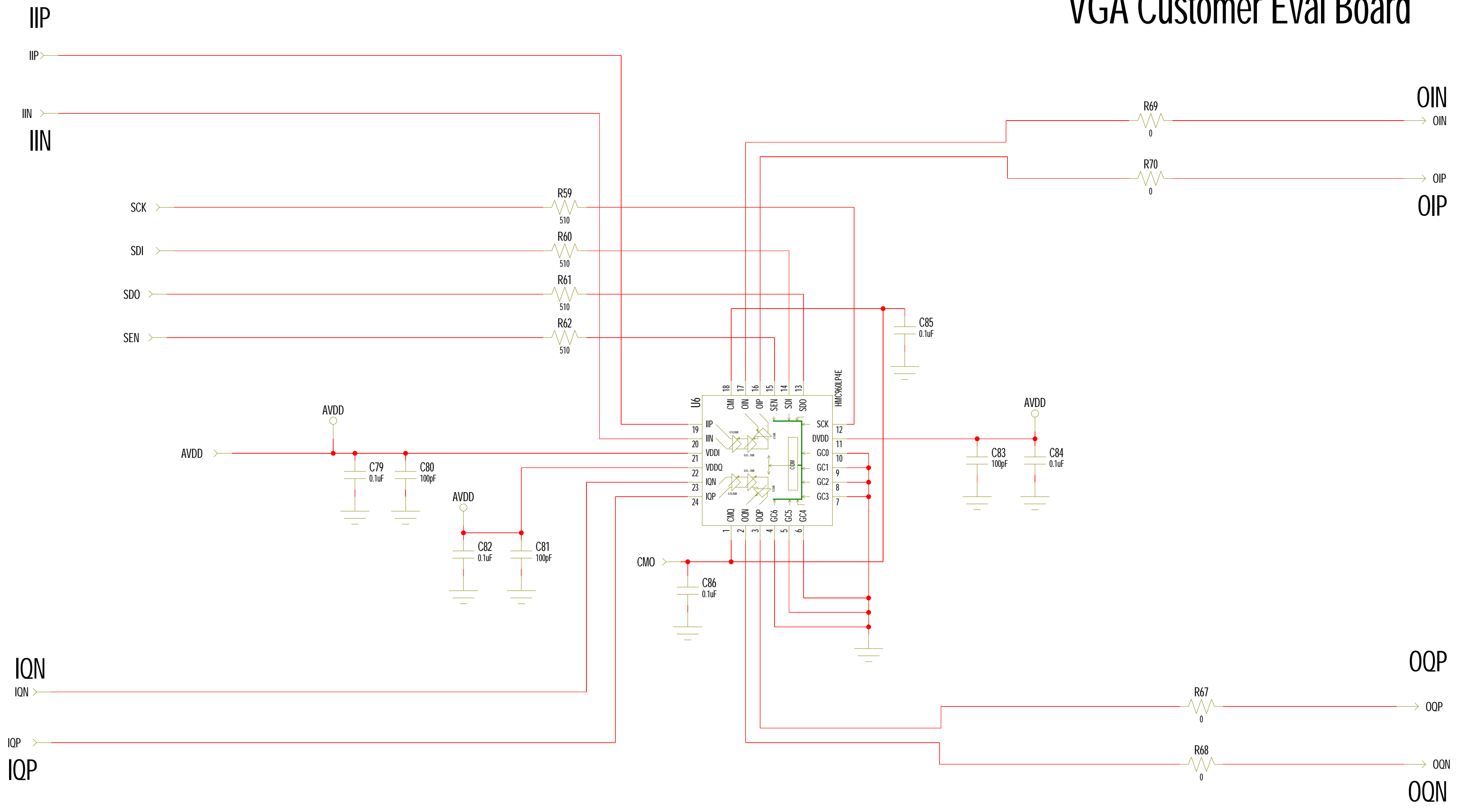
 HITTITE MICROWAVE CORPORATION 20 Alpha Rd Chelmsford, MA 01824				
TITLE SCH, CUSTOMER EVALUATION				
PROJECT HMC6383				
DRAWING #: 130-00180-00			SHEET -	
DRAWN BY D.YOUNG			DATE 01/01/2010	
CODE ID NO. 1CN88			SIZE C	REV B


HMC900 Baseband Filter Eval

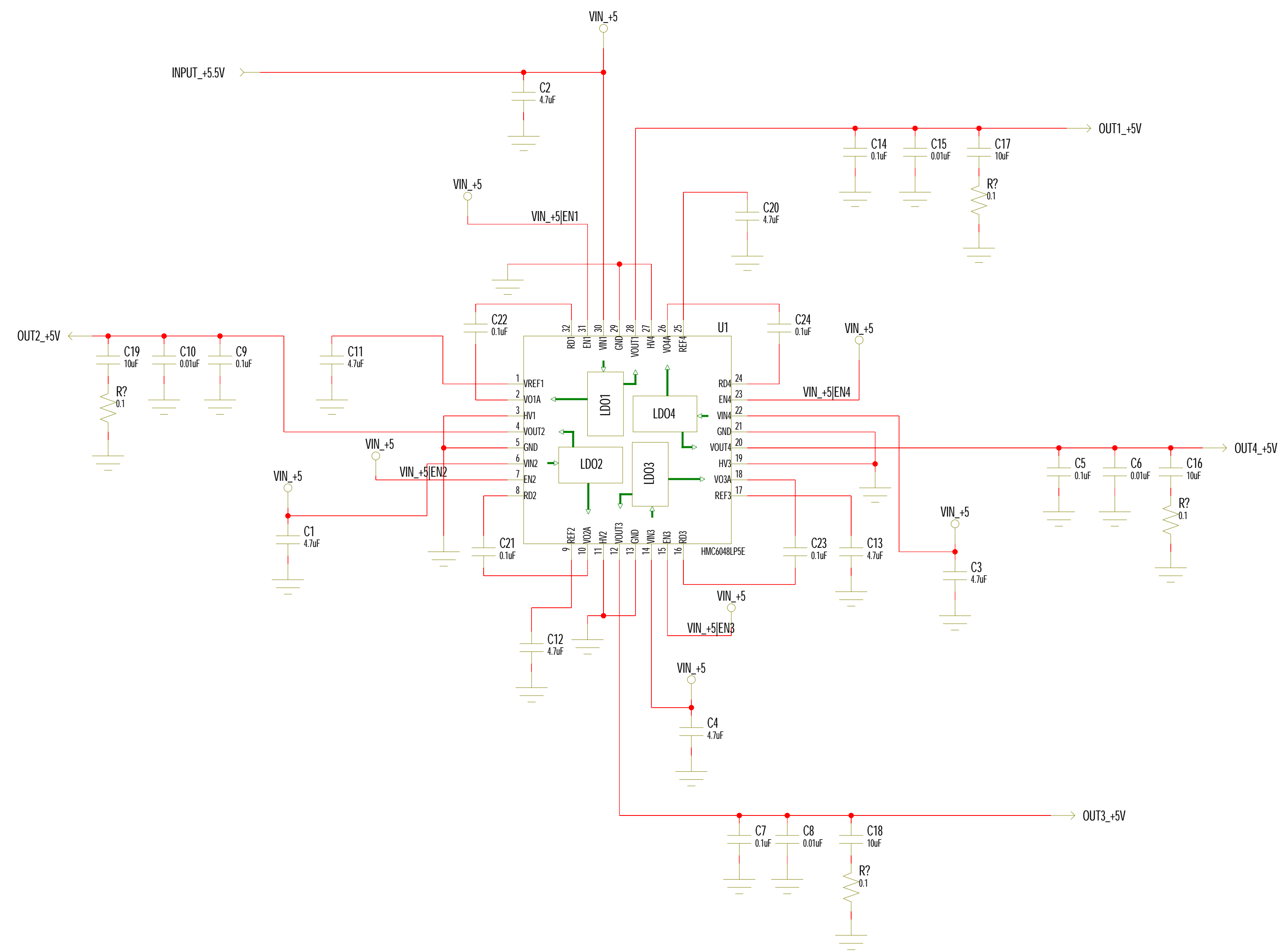



 HITTITE MICROWAVE CORPORATION 20 Alpha Rd Chelmsford, MA 01824		TITLE		
		SCH, CUSTOMER EVALUATION		
PROJECT		-		
DRAWING #:		-		
DRAWN BY		-		
DATE		-		
D.YOUNG		01/01/2010		
DRAWING #:		SHEET	-	REV
130-00180-00		1CN88	C	B
D.YOUNG		DATE	01/01/2010	REV
D.YOUNG		DATE	01/01/2010	REV
D.YOUNG		DATE	01/01/2010	REV

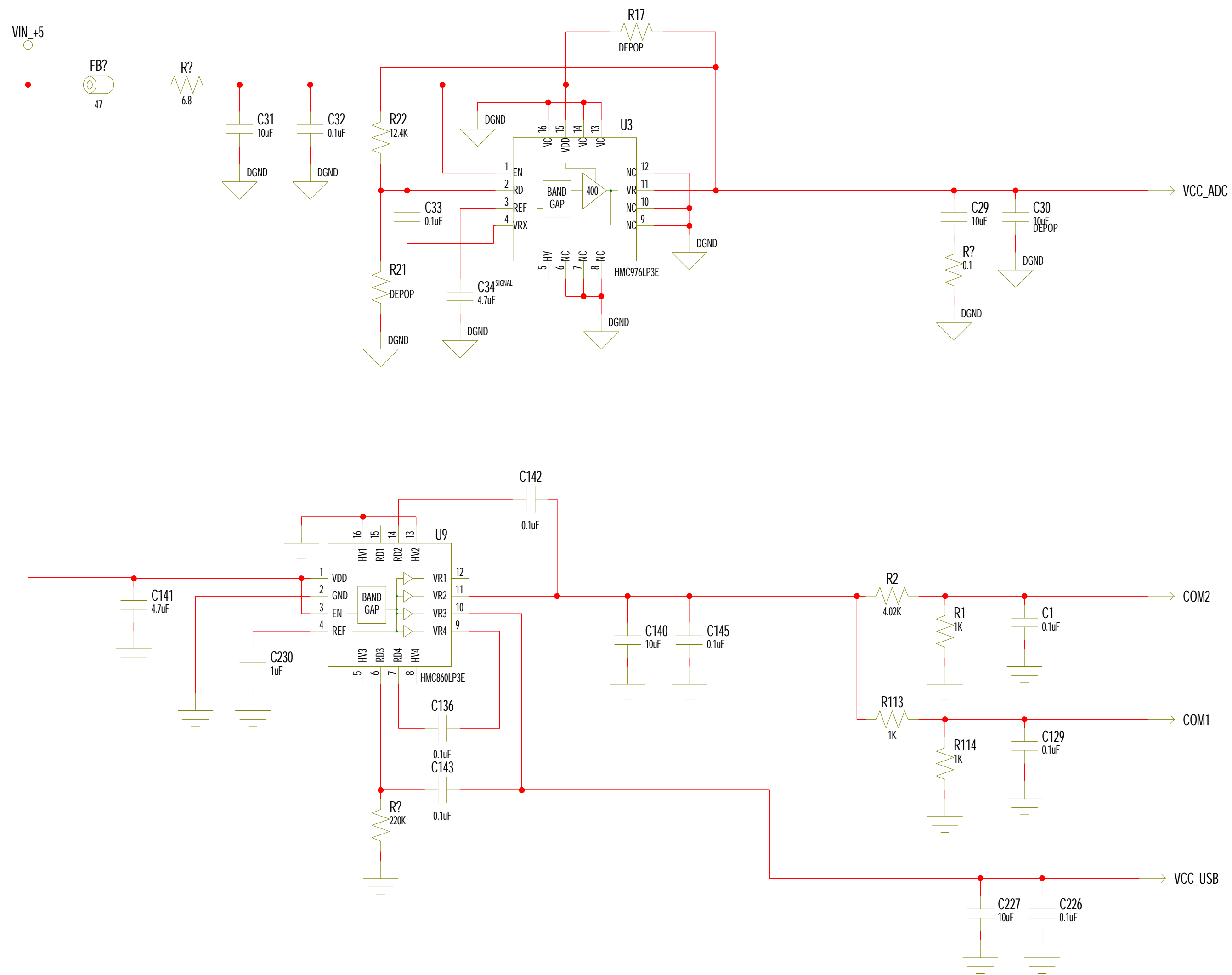
VGA Customer Eval Board




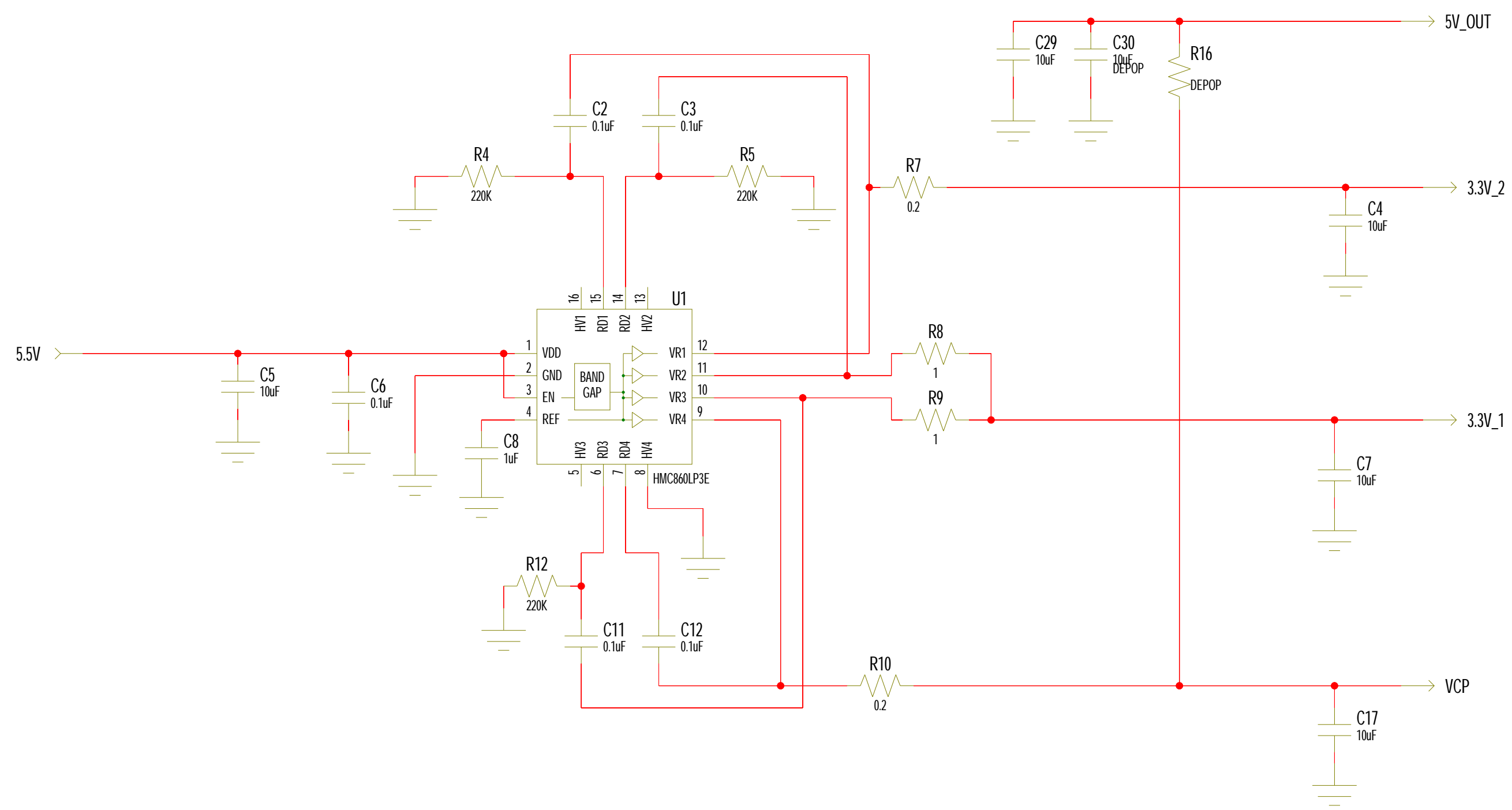
 HITTITE MICROWAVE CORPORATION 20 Alpha Rd Chelmsford, MA 01824	
TITLE SCH, CUSTOMER EVALUATION	
PROJECT HMC6383	
DRAWING #: 130-00180-00	SHEET -
DRAWN BY D.YOUNG	DATE 01/01/2010
CODE ID NO. 1CN88	SIZE C
REV B	REV B




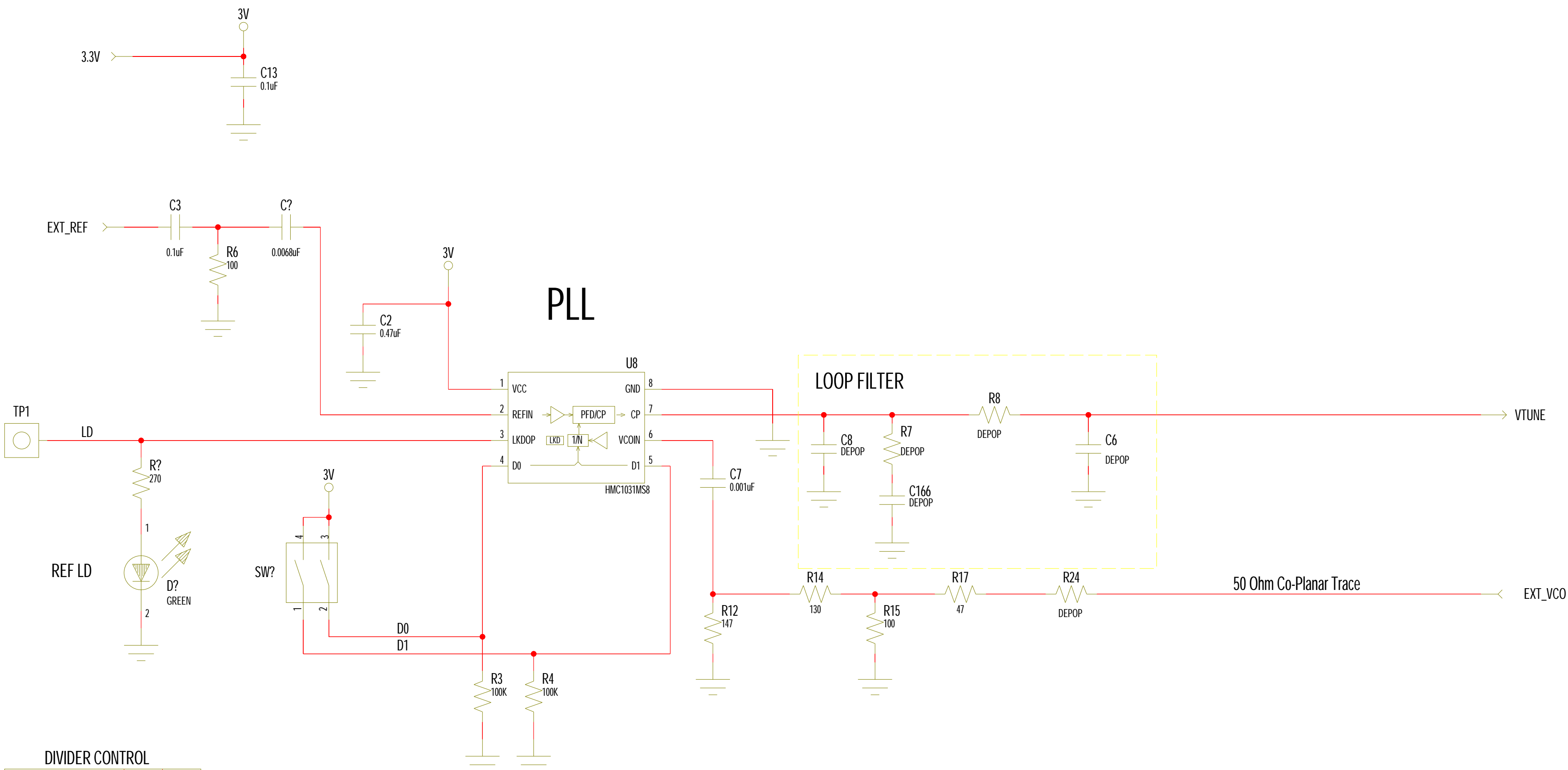
 HITTITE MICROWAVE CORPORATION 20 Alpha Rd Chelmsford, MA 01824	
TITLE SCH, CUSTOMER EVALUATION	
PROJECT HMC6383	
DRAWING #: 130-00180-00	SHEET -
DRAWN BY D.YOUNG	DATE 01/01/2010
CODE ID NO. 1CN88	SIZE C
REV B	REV B



 HITTITE MICROWAVE CORPORATION 20 Alpha Rd Chelmsford, MA 01824		TITLE		
		SCH, CUSTOMER EVALUATION		
PROJECT	HMC6383			
DRAWING #:	130-00180-00		SHEET	
DRAWN BY	D.YOUNG	DATE	01/01/2010	1CN88
				C
				B
02-03-2012_11:07				



 HITTITE MICROWAVE CORPORATION 20 Alpha Rd Chelmsford, MA 01824	
TITLE SCH, CUSTOMER EVALUATION	
PROJECT HMC6383	
DRAWING #: 130-00180-00	SHEET -
DRAWN BY D.YOUNG	DATE 01/01/2010
CODE ID NO. 1CN88	SIZE C
REV B	REV B



DIVIDER CONTROL

	D1	D0
POWER DOWN	0	0
DIVIDE BY 1	0	1
DIVIDE BY 5	1	0
DIVIDE BY 10	1	1

HITTITE MICROWAVE CORPORATION
 20 Alpha Rd Chelmsford, MA 01824

TITLE SCH, CUSTOMER EVALUATION OR AUTOHANDLER
 HMC1031MS8E

PROJECT HMC6383

DRAWING #: 130-00180-00

DRAWN BY D.YOUNG **DATE** 01/01/2010

CODE ID NO.	SIZE	REV
1CN88	C	1

SHEET SHEET 2 OF 14

05-03-2012_11:37